



**CONSOLIDATED
BILL OF MATERIALS (BOM)
FOR CENTRY® SERIES
CENTRIFUGAL PUMPS**



**Model 620 – Sealed
(New Design)**



**Model 620 – Sealed
(Legacy Design)**



Model 620 - MC



Models 621 & 622 - Sealed



Models 621 & 622 - MC

Table of Contents

Introduction

A. Scope 3
B. Centry® Series Configurations & Basic Materials of Construction 3
C. BOM Format. 3
D. Meaning of Abbreviated Terms 3

MODEL 620 – SEALED

316 SS Construction

Single Internal Mechanical Seal – Type 21 (New)4-5
 Single Internal Mechanical Seal – Type 9T (New)6-7
 Single Internal Mechanical Seal – Type 9A (Legacy)...8-9
 Double Mechanical Seal – Type 9T (Legacy).....10-11
 Packing Seal (Legacy)12-13

Alloy-C Construction

Single Internal Mechanical Seal – Type 9A (Legacy)...14-15
 Double Mechanical Seal – Type 9T (Legacy).....16-17
 Packing Seal (Legacy)18-19

MODEL 620 – MAG-DRIVE

316 SS Construction 20-21
Alloy-C Construction22-23

MODELS 621 & 622 – SEALED

316 SS Construction

Single Internal Mechanical Seal – Type 21 24-25
 Single Internal Mechanical Seal – Type 9T 26-27

MODELS 621 & 622 – MAG-DRIVE

316 SS Construction 28-29

Appendix: Model Coding

Model 620 – Sealed 30
 Model 620-MC (Mag-drive) 31
 Models 621 & 622 – Sealed 32
 Models 621-MC & 622-MC (Mag-drive) 33

Introduction:

A. Scope: This Consolidated BOM covers the Centry® Series Centrifugal Pumps, Models 620, 621 and 622, Sealed and Mag-drive.

B. Centry® Series Configurations & Basic Materials of Construction:

General Pump Configuration	Pump Models	Bracket Design	Seal Configurations	Basic Material of Construction
SEALED, Close-Coupled ¹	620	Closed	SMS Type 21 & 9T	316 SS
	620	Open	SMS Type 9A, DMS, Packing	316 SS & Alloy-C
	621	Closed	SMS Type 21 & 9T	316 SS
	622	Closed	SMS Type 21 & 9T	316 SS
MAG-DRIVE, Close-Coupled ²	620-MC	Closed	Sealless	316 SS & Alloy-C
	621-MC	Closed	Sealless	316 SS
	622-MC	Closed	Sealless	316 SS

1 Long-Coupled configuration is available using the Power Frame option (Model 620 only).
 2 Long-Coupled configuration is available using the Power Frame or S-Adapter options.

C. BOM Format: The BOM for each pump model and general configuration has a 2-page format that spans across the left-hand and right-hand pages, and is based on only one basic material of construction. Any pump *Part Number* can be cross-referenced from the pump *Model Number* (see **Code** column). Part Numbers are located in the extreme right columns, under the general Model Number heading (e.g., 620, 621 or 622). If a Part Number has a number to the right of it (in parentheses) that number represents the quantity of that part required per pump; otherwise only one part per pump is required. Each 2-page BOM has a pump exploded view reference drawing on the right-hand page. The *Drawing Item Number* for a part can be used to reference that part on the drawing (see **Drwg. Item #** column).

D. Meaning of Abbreviated Terms:

Term	Meaning	Notes
ANSI	American National Standards Institute	e.g., ANSI 150# flanges
BSHCS	Button Socket Head Cap Screw	Type of bolt (used for 621/622 containment can)
C. Can	Containment Can	Component of mag-drive pump
CI	Cast Iron	Pedestal structural material
CO	Chrome Oxide	Shaft coating material
CS	Carbon Steel	Outer magnet and adapter structural material
CSD	Cross-Sectional Diameter	O-ring dimension
DMS	Double Mechanical Seal	Internally mounted double seal
Drwg.	Drawing (Item #)	See BOM reference drawings
HHCS	Hex Head Cap Screw	Type of bolt
ID	Inner Diameter	O-ring dimension
MC	Magnetically Coupled	Mag-drive pump
NPT	National Pipe Threads	Type of threaded port
PF	Power Frame (Pedestal)	Ancillary device for long-coupling pump to motor
Pos.	Position (#)	Position number of model code
PS	Packing Seal	Seal comprised of Teflon or Graphoil packing rings
RF	Raised Face	Type of flange
SHCS	Socket Head Cap Screw	Type of bolt
SHSS-CP	Socket Head Set Screw, Cup Point	Type of set screw
SHSS-FD	Socket Head Set Screw, Full Dog	Type of set screw
SHSS-HD	Socket Head Set Screw, Half Dog	Type of set screw
SiC	Silicon Carbide	Seal seat, bearing and thrust washer material
SmCo	Samarium Cobalt	Inner and outer magnet material
SMS	Single Mechanical Seal	Internally mounted single seal
SS	Stainless Steel	e.g., 303 SS, 316 SS, 18-8 SS
TC	Tungsten Carbide	Shaft coating material
X	Not Available or Not Applicable	Used in lieu of Part Number

Liquiflo Chemical Processing Pumps™	Centry® Series Centrifugal Pumps BOM: SEALED Model 620 with Single Internal Mech. Seal – Type 21
--	---

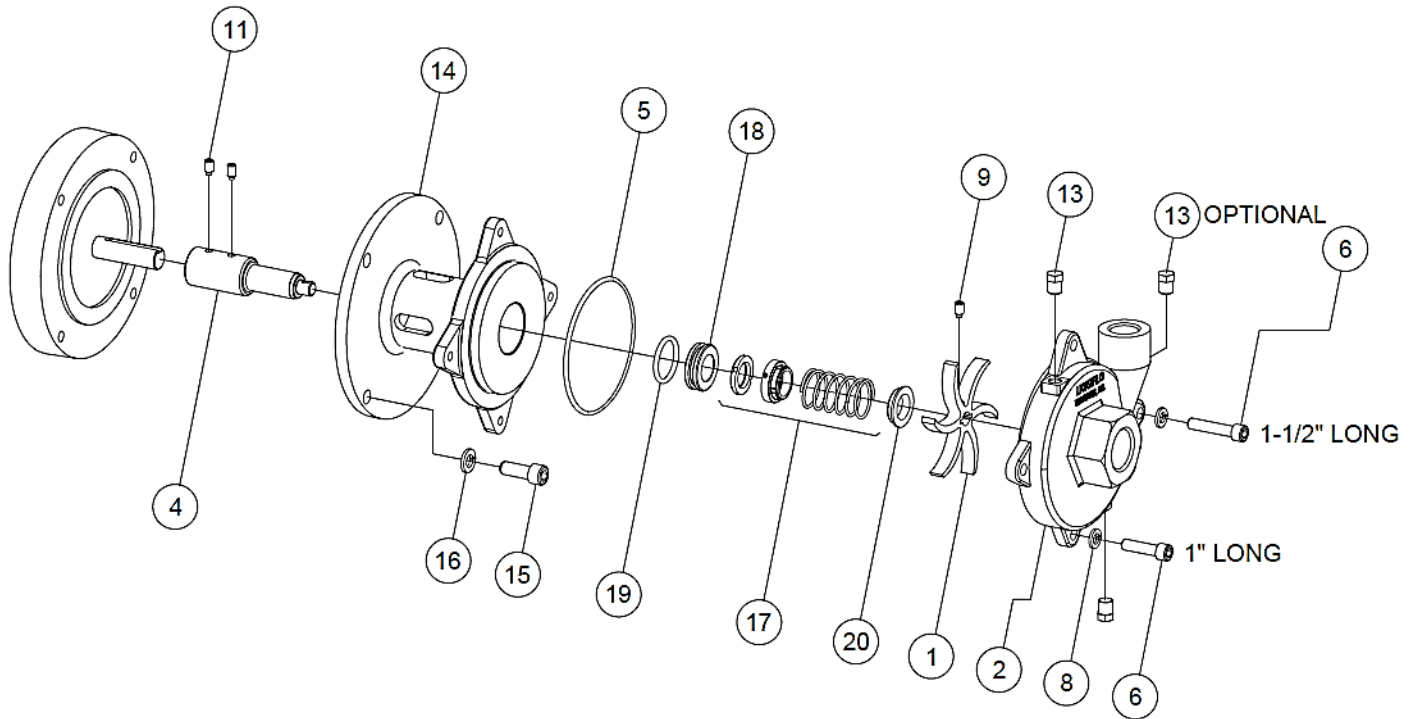
Part Description	Drwg. Item #	316 Stainless Steel Construction		
		Code	Material	620
Position 2 – Impeller Size				
Impeller, Full Size – 3.75" Diameter	1	F	316 SS	620301
Impeller, Reduced Size	1	R	316 SS	See Position 7
Position 3 – Basic Material of Construction & Port Type (Volute, Plugs & Hardware)				
Volute, Threaded (NPT)	2	S	316 SS	620003
Volute, Flanged (150# ANSI RF)	2	L	316 SS	620005
Plug, 1/8 NPT (Volute) ¹	13	S, L	316 SS	362304 (2)
Setscrew, Impeller (1/4-28 x 3/8 SHSS-HD)	9	S, L	316 SS/Teflon	S620000
Setscrew, Shaft (1/4-28 x 3/8 SHSS-FD)	11	S, L	18-8 SS	621104 (2)
Bolt, Volute (5/16-18 x 1 SHCS)	6	S, L	18-8 SS	621105 (3)
Bolt, Volute (5/16-18 x 1-1/2 SHCS)	6	S, L	18-8 SS	621109 (1)
Lockwasher, Volute (5/16)	8	S, L	18-8 SS	3126341 (4)
Position 4 – Seal Configuration				
Single Mechanical Seal – Type 21	17	0	18-8 SS/Carbon	A-627010
Spring Support Washer (Type 21 SMS)	20	0	316 SS	620330
Seal Seat	18	0	SiC	781547
Position 5 – Motor Frame (Shaft, Bracket, Power Frame & Motor Hardware)				
Shaft – 5/8" Bore (NEMA 56C)	4	0	316 SS	620320
Shaft – 7/8" Bore (NEMA 143/145TC)	4	1	316 SS	620321
Shaft – 5/8" Bore (Power Frame)	4	P	316 SS	620322
Bracket, Mounting ²	14	0, 1, P	316 SS	620220
Power Frame	–	P	Cl/CS/Epoxy	A-620804
Adapter Plate, Power Frame	–	P	CS/Epoxy	970045
Bolt, Motor (3/8-16 x 1 SHCS)	15	0, 1	18-8 SS	781118 (4)
Bolt, Power Frame (3/8-16 x 1-3/4 SHCS)	15	P	18-8 SS	621110 (4)
Lockwasher, Motor/Power Frame (3/8)	16	0, 1, P	18-8 SS	S1004 (4)
Position 6 – O-Rings/Gaskets				
Gasket, Volute	5	0	Teflon	620601
O-ring, Volute (2-154)	5	V	Viton	620621
Gasket, Volute	5	G	Graphoil	620603
O-ring, Seal Seat (2-216)	19	0, V, G	Viton	781691
Position 7 – Impeller Trim				
Impeller, Full Size	1	0 (Pos. 2 = F)	316 SS	See Position 2
Impeller, Reduced – 3.50" Diameter	1	1 (Pos. 2 = R)	316 SS	620305
Impeller, Reduced – 3.25" Diameter	1	2 (Pos. 2 = R)	316 SS	620306
Impeller, Reduced – 3.00" Diameter	1	3 (Pos. 2 = R)	316 SS	620307
Impeller, Reduced – 2.75" Diameter	1	4 (Pos. 2 = R)	316 SS	620308

¹ Volute may contain an additional plug on the outlet port (see reference drawing on next page).

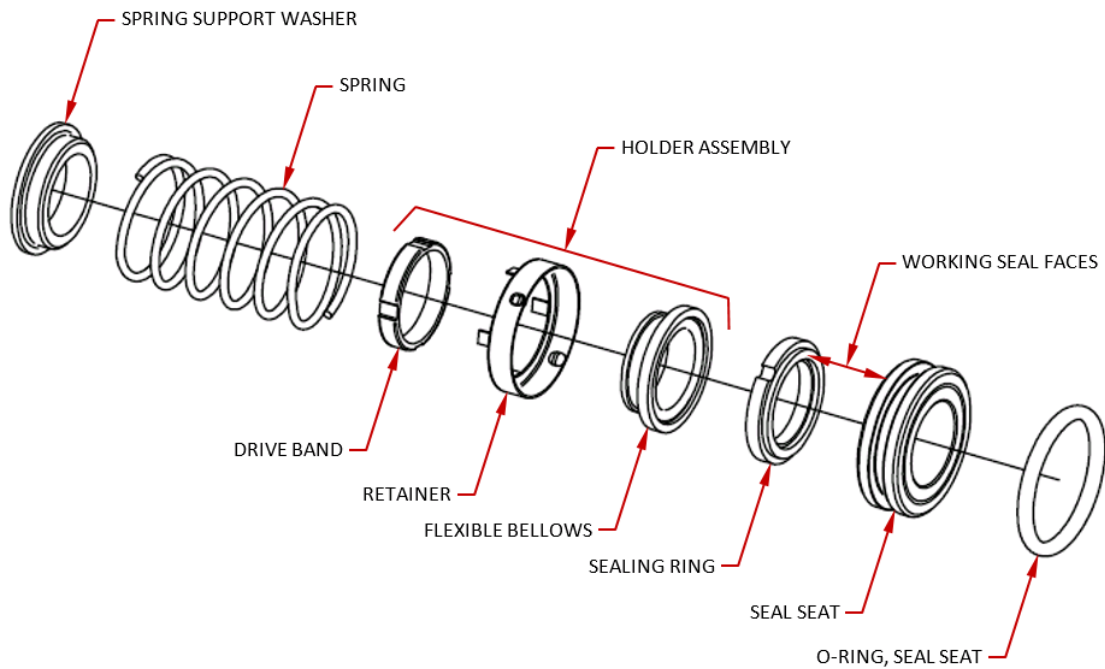
² Closed-Bracket with integral seal housing.

<p style="text-align: center;">Liquiflo Chemical Processing Pumps™</p>	<p style="text-align: center;">Centry® Series Centrifugal Pumps BOM: SEALED Model 620 with Single Internal Mech. Seal – Type 21</p>
---	--

Centry® Model 620 with Single Internal Mechanical Seal – Type 21



Type 21 Single Internal Mechanical Seal



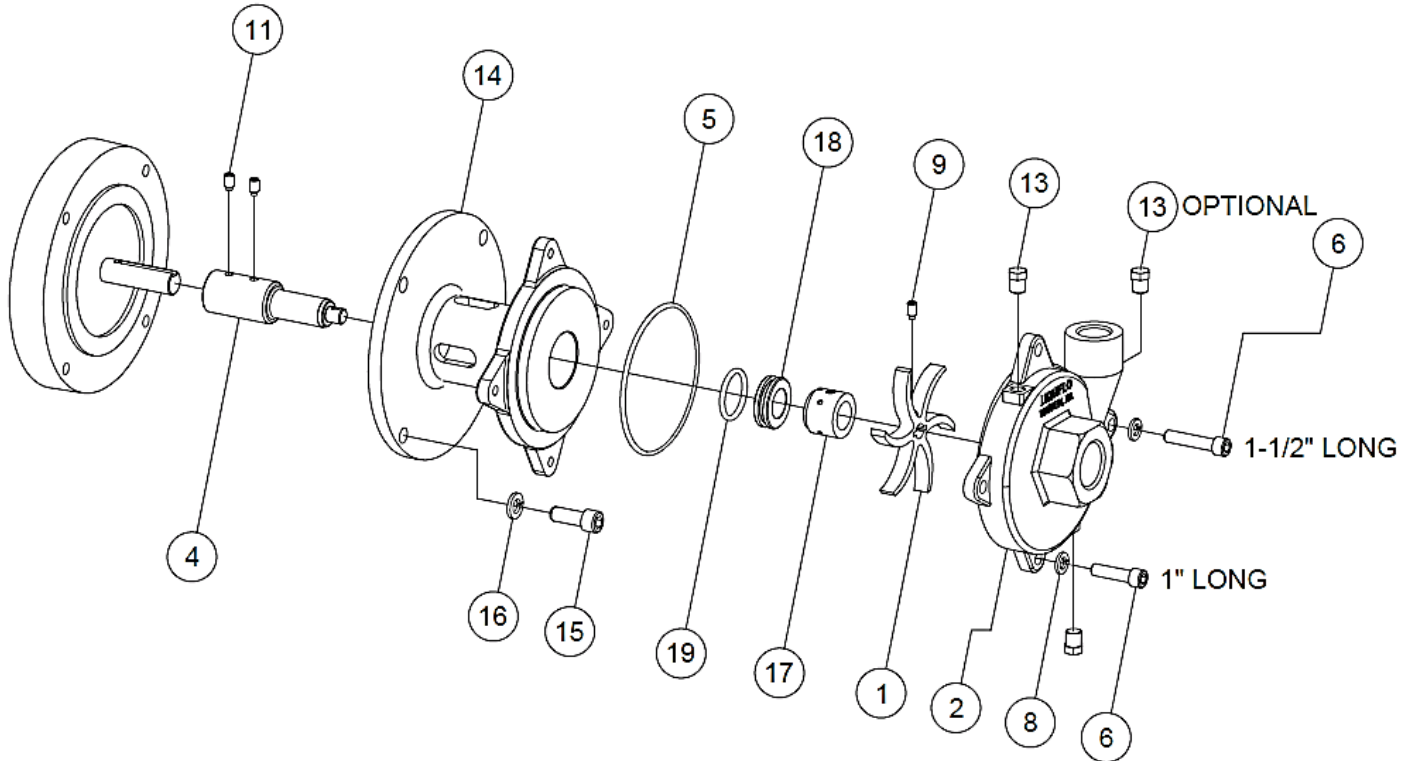
<p>Liquiflo Chemical Processing Pumps™</p>	<p>Centry® Series Centrifugal Pumps BOM: SEALED Model 620 with Single Internal Mech. Seal – Type 9T</p>
--	--

Part Description	Drwg. Item #	316 Stainless Steel Construction		
		Code	Material	620
Position 2 – Impeller Size				
Impeller w/ Pin, Full Size – 3.75" Diameter	1	F	316 SS	620301-9
Impeller, Reduced Size	1	R	316 SS	See Position 7
Position 3 – Basic Material of Construction & Port Type (Volute, Plugs & Hardware)				
Volute, Threaded (NPT)	2	S	316 SS	620003
Volute, Flanged (150# ANSI RF)	2	L	316 SS	620005
Plug, 1/8 NPT (Volute) ¹	13	S, L	316 SS	362304 (2)
Setscrew, Impeller (1/4-28 x 3/8 SHSS-HD)	9	S, L	316 SS/Teflon	S620000
Setscrew, Shaft (1/4-28 x 3/8 SHSS-FD)	11	S, L	18-8 SS	621104 (2)
Bolt, Volute (5/16-18 x 1 SHCS)	6	S, L	18-8 SS	621105 (3)
Bolt, Volute (5/16-18 x 1-1/2 SHCS)	6	S, L	18-8 SS	621109 (1)
Lockwasher, Volute (5/16)	8	S, L	18-8 SS	3126341 (4)
Position 4 – Seal Configuration				
Single Mech. Seal w/ Pin Hole – Type 9T	17	1	316 SS/Carbon	A-627020
Single Mech. Seal w/ Pin Hole – Type 9T	17	6	316 SS/Teflon	A-627021
Seal Seat	18	1, 6	SiC	781547
Position 5 – Motor Frame (Shaft, Bracket, Power Frame & Motor Hardware)				
Shaft – 5/8" Bore (NEMA 56C)	4	0	316 SS	620320
Shaft – 7/8" Bore (NEMA 143/145TC)	4	1	316 SS	620321
Shaft – 5/8" Bore (Power Frame)	4	P	316 SS	620322
Bracket, Mounting ²	14	0, 1, P	316 SS	620220
Power Frame	–	P	CI/CS/Epoxy	A-620804
Adapter Plate, Power Frame	–	P	CS/Epoxy	970045
Bolt, Motor (3/8-16 x 1 SHCS)	15	0, 1	18-8 SS	781118 (4)
Bolt, Power Frame (3/8-16 x 1-3/4 SHCS)	15	P	18-8 SS	621110 (4)
Lockwasher, Motor/Power Frame (3/8)	16	0, 1, P	18-8 SS	S1004 (4)
Position 6 – O-Rings/Gaskets				
Gasket, Volute	5	0	Teflon	620601
O-ring, Volute (2-154)	5	V	Viton	620621
Gasket, Volute	5	G	Graphoil	620603
O-ring, Seal Seat (2-216)	19	0, V, G	Viton	781691
Position 7 – Impeller Trim				
Impeller w/ Pin, Full Size	1	0 (Pos. 2 = F)	316 SS	See Position 2
Impeller w/ Pin, Reduced – 3.50" Diameter	1	1 (Pos. 2 = R)	316 SS	620305-9
Impeller w/ Pin, Reduced – 3.25" Diameter	1	2 (Pos. 2 = R)	316 SS	620306-9
Impeller w/ Pin, Reduced – 3.00" Diameter	1	3 (Pos. 2 = R)	316 SS	620307-9
Impeller w/ Pin, Reduced – 2.75" Diameter	1	4 (Pos. 2 = R)	316 SS	620308-9

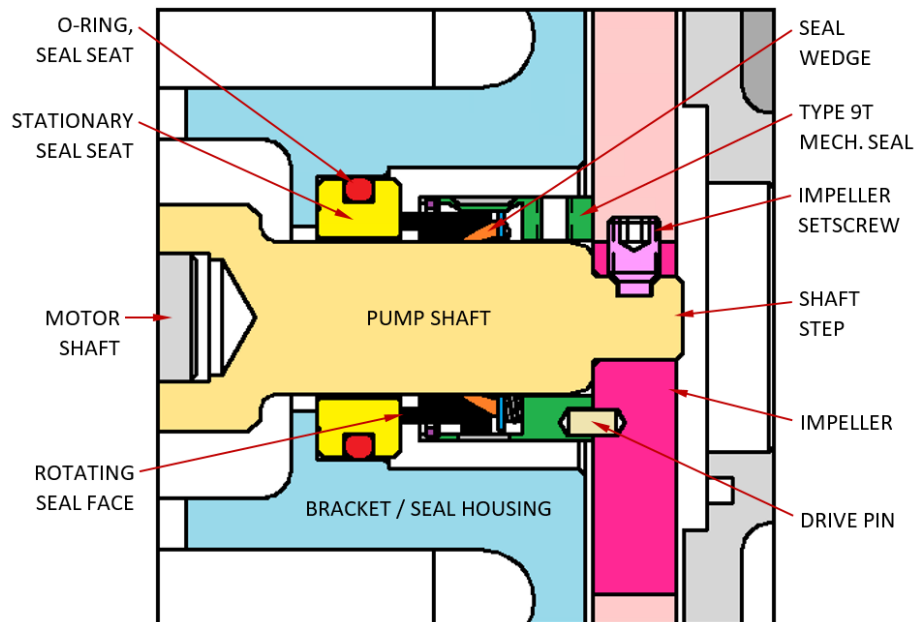
- 1 Volute may contain an additional plug on the outlet port (see reference drawing on next page).
- 2 Closed-Bracket with integral seal housing.

<p>Liquiflo Chemical Processing Pumps™</p>	<p>Centry® Series Centrifugal Pumps BOM: SEALED Model 620 with Single Internal Mech. Seal – Type 9T</p>
---	---

Centry® Model 620 with Single Internal Mechanical Seal – Type 9T



Type 9T Single Internal Mechanical Seal



Liquiflo
Chemical Processing Pumps™

Centry® Series Centrifugal Pumps
BOM: SEALED Model 620
with Single Internal Mech. Seal – Type 9A

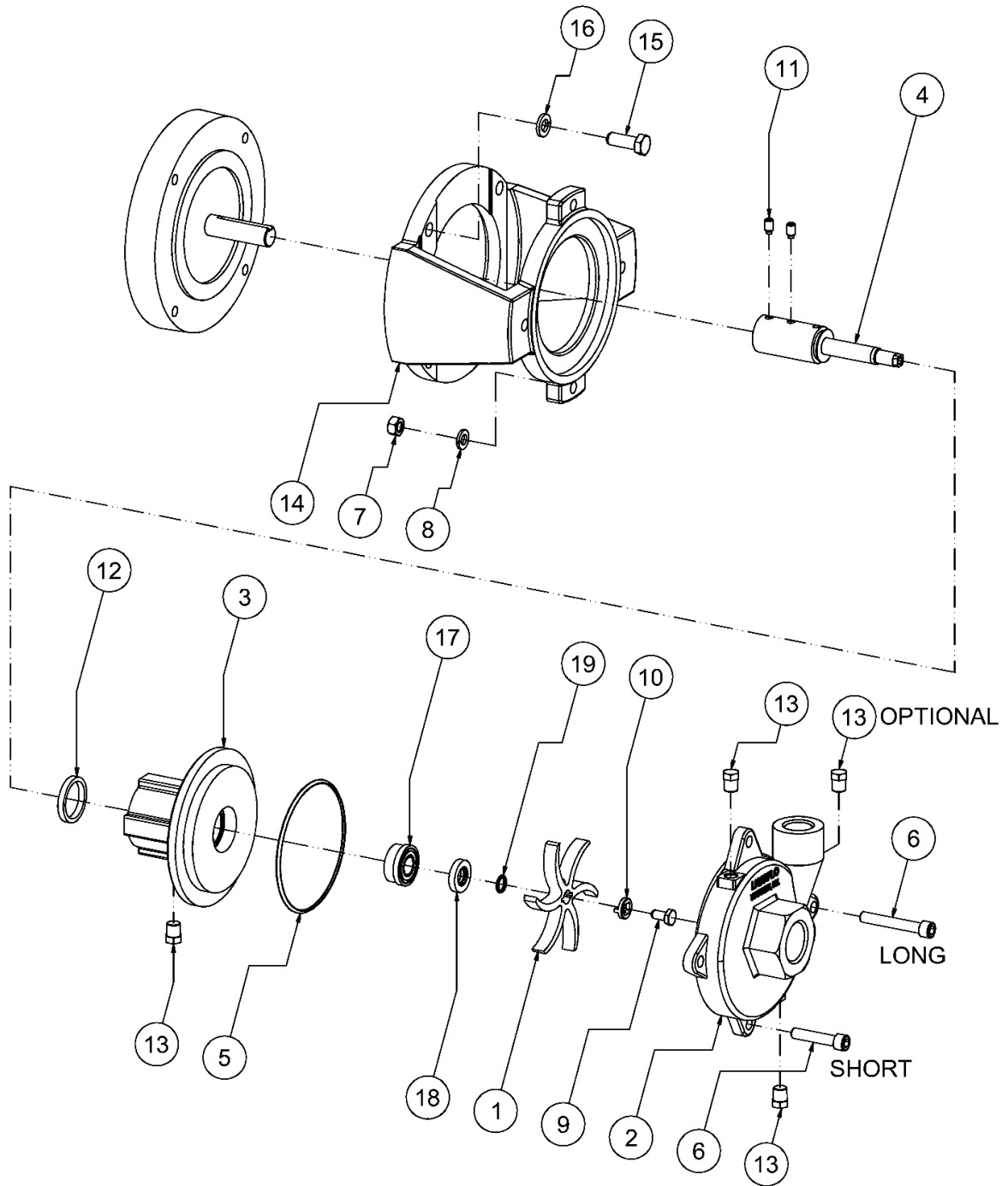
Part Description	Drwg. Item #	316 Stainless Steel Construction		
		Code	Material	620
Position 2 – Impeller Size				
Impeller, Full Size – 3.75" Diameter	1	F	316 SS	620301
Impeller, Reduced Size	1	R	316 SS	See Position 7
Position 3 – Basic Material of Construction & Port Type (Volute, Plugs & Hardware)				
Volute, Threaded (NPT)	2	S	316 SS	620003
Volute, Flanged (150# ANSI RF)	2	L	316 SS	620005
Plug, 1/8 NPT (Volute) ¹	13	S, L	316 SS	362304 (2)
Lock Collar, Impeller	10	S, L	316 SS	620501
Washer, Impeller Spacing ²	–	S, L	316 SS	620710
Screw, Impeller (1/4-20 x 7/16 HHCS)	9	S, L	316 SS	620520
Setscrew, Shaft (1/4-28 x 3/8 SHSS-FD)	11	S, L	18-8 SS	621104 (2)
Bolt, Volute (5/16-18 x 1-3/4 SHCS)	6	S, L	18-8 SS	621101 (3)
Bolt, Volute (5/16-18 x 2-1/4 SHCS)	6	S, L	18-8 SS	621102 (1)
Nut, Volute (5/16-18 Hex)	7	S, L	18-8 SS	621103 (4)
Lockwasher, Volute (5/16)	8	S, L	18-8 SS	3126341 (4)
Position 4 – Seal Configuration				
Single Mechanical Seal – Type 9A	17	2	316 SS/Carbon	A-867011
Single Mechanical Seal – Type 9A	17	3	316 SS/Teflon	A-867016
Seal Seat	18	2, 3	SiC	621006
Seal Housing, SMS	3	2, 3	316 SS	620112
Plug, 1/8 NPT (Seal Housing)	13	2, 3	316 SS	362304
Wiper, Shaft	12	2, 3	Teflon	620701
Position 5 – Motor Frame (Shaft, Bracket, Power Frame & Motor Hardware)				
Shaft – 5/8" Bore (NEMA 56C or PF)	4	0, P	316 SS	620401
Shaft – 7/8" Bore (NEMA 143/145TC)	4	1	316 SS	620421
Bracket, Mounting (Open Design)	14	0, 1, P	CI/Epoxy	620801
Power Frame	–	P	CI/CS/Epoxy	A-620804
Bolt, Motor/Power Frame (3/8-16 x 1 HHCS)	15	0, 1, P	18-8 SS	620825 (4)
Lockwasher, Motor/Power Frame (3/8)	16	0, 1, P	18-8 SS	S1004 (4)
Position 6 – O-Rings/Gaskets				
Gasket, Volute	5	0	Teflon	620601
O-ring, Volute (2-154)	5	V	Viton	620621
Gasket, Volute	5	G	Graphoil	620603
O-ring, Seal Seat (.397" ID x .070" CSD)	19	0, G	Teflon	620610
O-ring, Seal Seat (.397" ID x .070" CSD)	19	V	Viton	620623
O-ring, Seal Housing, SMS (2-024) ³	–	0, V, G	Viton	620614
Position 7 – Impeller Trim				
Impeller, Full Size	1	0 (Pos. 2 = F)	316 SS	See Position 2
Impeller, Reduced – 3.50" Diameter	1	1 (Pos. 2 = R)	316 SS	620305
Impeller, Reduced – 3.25" Diameter	1	2 (Pos. 2 = R)	316 SS	620306
Impeller, Reduced – 3.00" Diameter	1	3 (Pos. 2 = R)	316 SS	620307
Impeller, Reduced – 2.75" Diameter	1	4 (Pos. 2 = R)	316 SS	620308

- 1 Volute may contain an additional plug on the outlet port (see reference drawing on next page).
- 2 Part required for current Impeller design (without hub) used with Type 9A Single Mechanical Seal.
- 3 O-ring for internal seal housing groove (not shown). Earlier design did not include groove and O-ring.

Liquiflo
Chemical Processing Pumps™

Centry® Series Centrifugal Pumps
BOM: SEALED Model 620
with Single Internal Mech. Seal – Type 9A

Centry® Model 620 with Single Internal Mechanical Seal – Type 9A



<p>Liquiflo Chemical Processing Pumps™</p>	<p>Centry® Series Centrifugal Pumps BOM: SEALED Model 620 with Double Mechanical Seal – Type 9T</p>
--	--

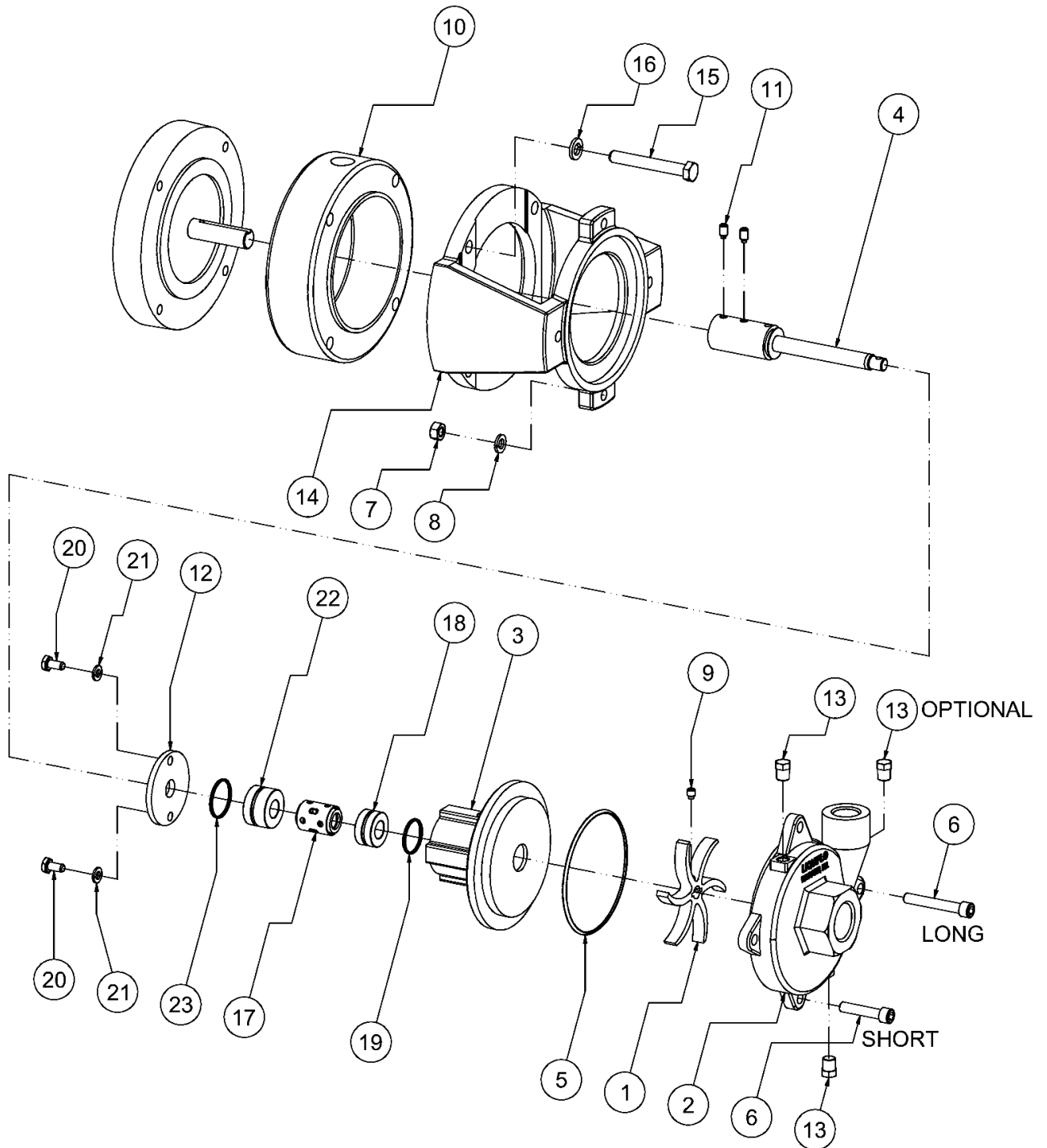
Part Description	Drwg. Item #	316 Stainless Steel Construction		
		Code	Material	620
Position 2 – Impeller Size				
Impeller, Full Size – 3.75" Diameter	1	F	316 SS	620301
Impeller, Reduced Size	1	R	316 SS	See Position 7
Position 3 – Basic Material of Construction & Port Type (Volute, Plugs & Hardware)				
Volute, Threaded (NPT)	2	S	316 SS	620003
Volute, Flanged (150# ANSI RF)	2	L	316 SS	620005
Plug, 1/8 NPT (Volute) ¹	13	S, L	316 SS	362304 (2)
Setscrew, Impeller (1/4-28 x 3/8 SHSS-HD)	9	S, L	316 SS/Teflon	S620000
Setscrew, Shaft (1/4-28 x 3/8 SHSS-FD)	11	S, L	18-8 SS	621104 (2)
Bolt, Volute (5/16-18 x 1-3/4 SHCS)	6	S, L	18-8 SS	621101 (3)
Bolt, Volute (5/16-18 x 2-1/4 SHCS)	6	S, L	18-8 SS	621102 (1)
Nut, Volute (5/16-18 Hex)	7	S, L	18-8 SS	621103 (4)
Lockwasher, Volute (5/16)	8	S, L	18-8 SS	3126341 (4)
Spacer Plate	10	S, L	CS/Epoxy	620802
Position 4 – Seal Configuration				
Double Mechanical Seal – Type 9T	17	4	316 SS/Carbon	A-867031
Seal Seat, Inner	18	4	SiC	621016
Seal Seat, Outer	22	4	SiC	621018
Seal Housing, DMS	3	4	316 SS	620117
Gland Plate	12	4	316 SS	621209
Screw, Gland Plate (1/4-28 x 5/8 HHCS)	20	4	18-8 SS	S620013 (2)
Lockwasher, Gland Plate (1/4)	21	4	18-8 SS	863701 (2)
Position 5 – Motor Frame (Shaft, Bracket, Power Frame & Motor Hardware)				
Shaft – 5/8" Bore (NEMA 56C or PF)	4	0, P	316 SS/303 SS	620411
Shaft – 7/8" Bore (NEMA 143/145TC)	4	1	316 SS/303 SS	620431
Bracket, Mounting (Open Design)	14	0, 1, P	CI/Epoxy	620801
Power Frame	–	P	CI/CS/Epoxy	A-620804
Bolt, Motor/Power Frame (3/8-16 x 1 HHCS)	15	0, 1, P	18-8 SS	620825 (4)
Lockwasher, Motor/Power Frame (3/8)	16	0, 1, P	18-8 SS	S1004 (4)
Position 6 – O-Rings/Gaskets				
Gasket, Volute	5	0	Teflon	620601
O-ring, Volute (2-154)	5	V	Viton	620621
Gasket, Volute	5	G	Graphoil	620603
O-ring, Seal Seat, Inner (2-022)	19	0, V, G	Viton	620613
O-ring, Seal Seat, Outer (2-024)	23	0, V, G	Viton	620614
Position 7 – Impeller Trim				
Impeller, Full Size	1	0 (Pos. 2 = F)	316 SS	See Position 2
Impeller, Reduced – 3.50" Diameter	1	1 (Pos. 2 = R)	316 SS	620305
Impeller, Reduced – 3.25" Diameter	1	2 (Pos. 2 = R)	316 SS	620306
Impeller, Reduced – 3.00" Diameter	1	3 (Pos. 2 = R)	316 SS	620307
Impeller, Reduced – 2.75" Diameter	1	4 (Pos. 2 = R)	316 SS	620308

1 Volute may contain an additional plug on the outlet port (see reference drawing on next page).

Liquiflo
Chemical Processing Pumps™

Centry® Series Centrifugal Pumps
BOM: SEALED Model 620
with Double Mechanical Seal – Type 9T

Centry® Model 620 with Double Mechanical Seal – Type 9T



Liquiflo
Chemical Processing Pumps™

Centry® Series Centrifugal Pumps
BOM: SEALED Model 620
with Packing Seal

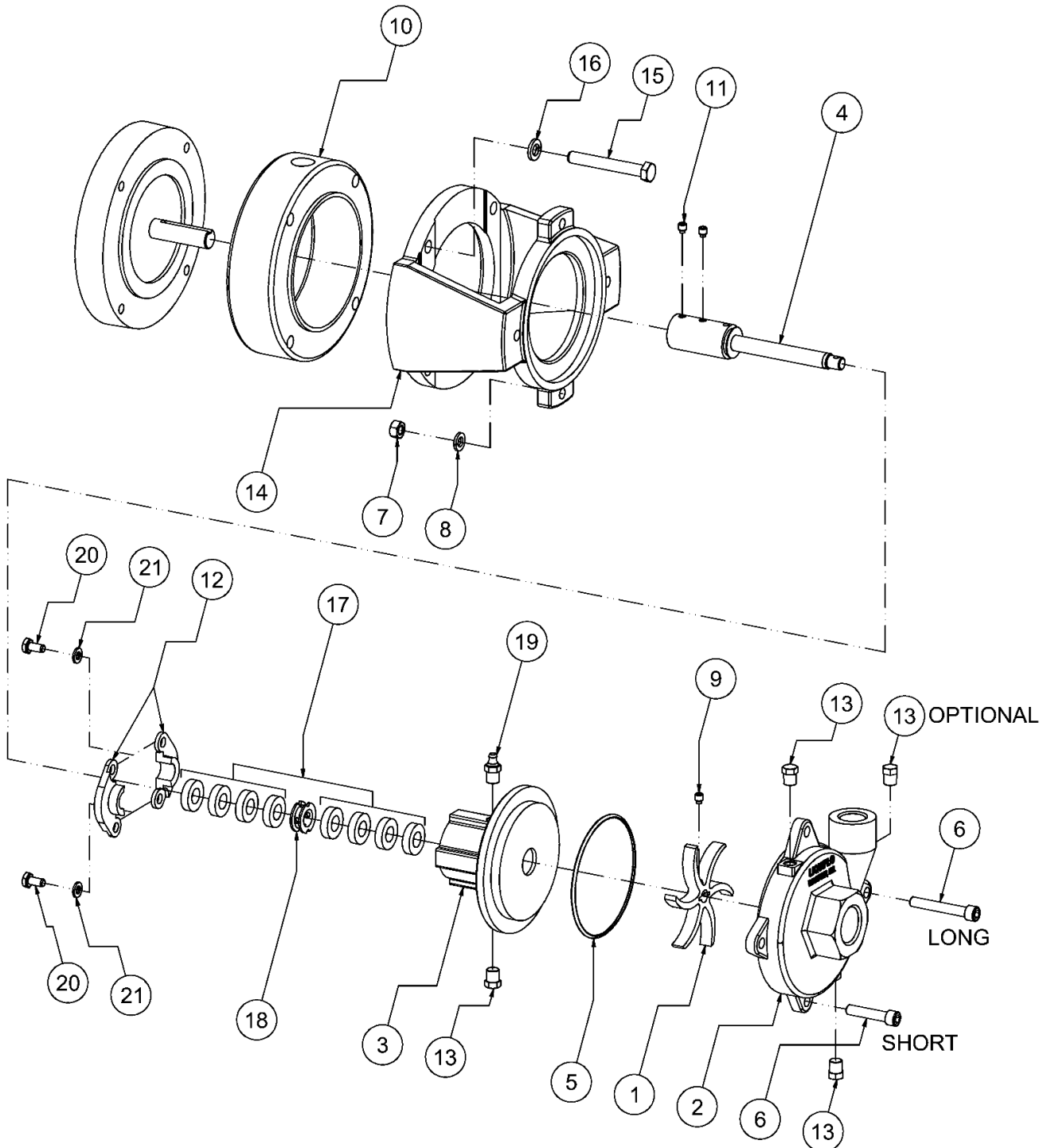
Part Description	Drwg. Item #	316 Stainless Steel Construction		
		Code	Material	620
Position 2 – Impeller Size				
Impeller, Full Size – 3.75" Diameter	1	F	316 SS	620301
Impeller, Reduced Size	1	R	316 SS	See Position 7
Position 3 – Basic Material of Construction & Port Type (Volute, Plugs & Hardware)				
Volute, Threaded (NPT)	2	S	316 SS	620003
Volute, Flanged (150# ANSI RF)	2	L	316 SS	620005
Plug, 1/8 NPT (Volute) ¹	13	S, L	316 SS	362304 (2)
Setscrew, Impeller (1/4-28 x 3/8 SHSS-HD)	9	S, L	316 SS/Teflon	S620000
Setscrew, Shaft (1/4-28 x 3/8 SHSS-FD)	11	S, L	18-8 SS	621104 (2)
Bolt, Volute (5/16-18 x 1-3/4 SHCS)	6	S, L	18-8 SS	621101 (3)
Bolt, Volute (5/16-18 x 2-1/4 SHCS)	6	S, L	18-8 SS	621102 (1)
Nut, Volute (5/16-18 Hex)	7	S, L	18-8 SS	621103 (4)
Lockwasher, Volute (5/16)	8	S, L	18-8 SS	3126341 (4)
Spacer Plate	10	S, L	CS/Epoxy	620802
Position 4 – Seal Configuration				
Packing Ring	17	5	Teflon	866501 (8)
Packing Ring	17	7	Graphoil	866409 (8)
Lantern Ring	18	5, 7	Teflon	867109
Seal Housing, PS	3	5, 7	316 SS	620115
Plug, 1/8 NPT (Seal Housing)	13	5, 7	316 SS	362304
Grease Fitting, 1/8 NPT (Seal Housing)	19	5, 7	303 SS	867201
Gland Plate, Split	12	5, 7	316 SS	621204 (2)
Screw, Gland Plate (1/4-28 x 1 HHCS)	20	5, 7	18-8 SS	362005 (2)
Lockwasher, Gland Plate (1/4)	21	5, 7	18-8 SS	863701 (2)
Position 5 – Motor Frame (Shaft, Bracket, Power Frame & Motor Hardware)				
Shaft – 5/8" Bore (NEMA 56C or PF)	4	0, P	316 SS/303 SS	620411
Shaft – 7/8" Bore (NEMA 143/145TC)	4	1	316 SS/303 SS	620431
Bracket, Mounting (Open Design)	14	0, 1, P	CI/Epoxy	620801
Power Frame	–	P	CI/CS/Epoxy	A-620804
Bolt, Motor/Power Frame (3/8-16 x 1 HHCS)	15	0, 1, P	18-8 SS	620831 (4)
Lockwasher, Motor/Power Frame (3/8)	16	0, 1, P	18-8 SS	S1004 (4)
Position 6 – O-Rings/Gaskets				
Gasket, Volute	5	0	Teflon	620601
O-ring, Volute (2-154)	5	V	Viton	620621
Gasket, Volute	5	G	Graphoil	620603
Position 7 – Impeller Trim				
Impeller, Full Size	1	0 (Pos. 2 = F)	316 SS	See Position 2
Impeller, Reduced – 3.50" Diameter	1	1 (Pos. 2 = R)	316 SS	620305
Impeller, Reduced – 3.25" Diameter	1	2 (Pos. 2 = R)	316 SS	620306
Impeller, Reduced – 3.00" Diameter	1	3 (Pos. 2 = R)	316 SS	620307
Impeller, Reduced – 2.75" Diameter	1	4 (Pos. 2 = R)	316 SS	620308

¹ Volute may contain an additional plug on the outlet port (see reference drawing on next page).

Liquiflo
Chemical Processing Pumps™

Centry® Series Centrifugal Pumps
BOM: SEALED Model 620
with Packing Seal

Centry® Model 620 with Packing Seal



Liquiflo
Chemical Processing Pumps™

Centry® Series Centrifugal Pumps
BOM: SEALED Model 620
with Single Internal Mech. Seal – Type 9A

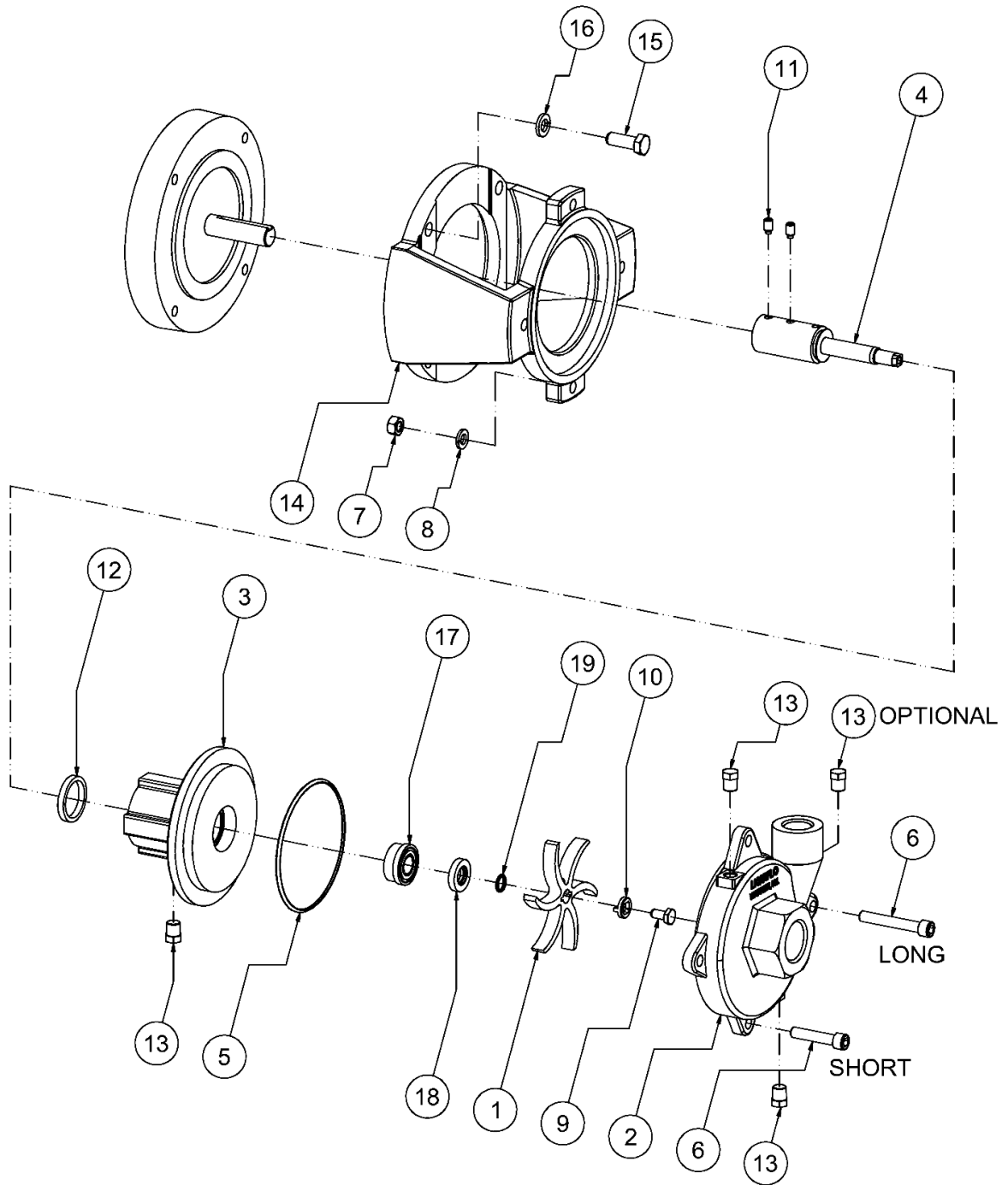
Part Description	Drwg. Item #	Alloy-C Construction		
		Code	Material	620
Position 2 – Impeller Size				
Impeller, Full Size – 3.75" Diameter	1	F	Alloy-C	620302
Impeller, Reduced Size	1	R	Alloy-C	See Position 7
Position 3 – Basic Material of Construction & Port Type (Volute, Plugs & Hardware)				
Volute, Threaded (NPT)	2	H	Alloy-C	620002
Volute, Flanged (150# ANSI RF)	2	C	Alloy-C	620006
Plug, 1/8 NPT (Volute) ¹	13	H, C	Alloy-C	362301 (2)
Lock Collar, Impeller	10	H, C	Alloy-C	620502
Washer, Impeller Spacing ²	–	H, C	Alloy-C	620711
Screw, Impeller (1/4-20 x 7/16 HHCS)	9	H, C	Alloy-C	620521
Setscrew, Shaft (1/4-28 x 3/8 SHSS-FD)	11	H, C	18-8 SS	621104 (2)
Bolt, Volute (5/16-18 x 1-3/4 SHCS)	6	H, C	18-8 SS	621101 (3)
Bolt, Volute (5/16-18 x 2-1/4 SHCS)	6	H, C	18-8 SS	621102 (1)
Nut, Volute (5/16-18 Hex)	7	H, C	18-8 SS	621103 (4)
Lockwasher, Volute (5/16)	8	H, C	18-8 SS	3126341 (4)
Position 4 – Seal Configuration				
Single Mechanical Seal – Type 9A	17	2	Alloy-C/Carbon	A-867008
Single Mechanical Seal – Type 9A	17	3	Alloy-C/Teflon	A-867077
Seal Seat	18	2, 3	SiC	621006
Seal Housing, SMS	3	2, 3	Alloy-C	620110
Plug, 1/8 NPT (Seal Housing)	13	2, 3	Alloy-C	362301
Wiper, Shaft	12	2, 3	Teflon	620701
Position 5 – Motor Frame (Shaft, Bracket, Power Frame & Motor Hardware)				
Shaft – 5/8" Bore (NEMA 56C or PF)	4	0, P	Alloy-C/303 SS	620402
Shaft – 7/8" Bore (NEMA 143/145TC)	4	1	Alloy-C/303 SS	620422
Bracket, Mounting (Open Design)	14	0, 1, P	Cl/Epoxy	620801
Power Frame	–	P	Cl/CS/Epoxy	A-620804
Bolt, Motor/Power Frame (3/8-16 x 1 HHCS)	15	0, 1, P	18-8 SS	620825 (4)
Lockwasher, Motor/Power Frame (3/8)	16	0, 1, P	18-8 SS	S1004 (4)
Position 6 – O-Rings/Gaskets				
Gasket, Volute	5	0	Teflon	620601
O-ring, Volute (2-154)	5	V	Viton	620621
Gasket, Volute	5	G	Graphoil	620603
O-ring, Seal Seat (.397" ID x .070" CSD)	19	0, G	Teflon	620610
O-ring, Seal Seat (.397" ID x .070" CSD)	19	V	Viton	620623
O-ring, Seal (2-024) ³	–	0, V, G	Viton	620614
Position 7 – Impeller Trim				
Impeller, Full Size	1	0 (Pos. 2 = F)	Alloy-C	See Position 2
Impeller, Reduced – 3.50" Diameter	1	1 (Pos. 2 = R)	Alloy-C	620309
Impeller, Reduced – 3.25" Diameter	1	2 (Pos. 2 = R)	Alloy-C	620310
Impeller, Reduced – 3.00" Diameter	1	3 (Pos. 2 = R)	Alloy-C	620311
Impeller, Reduced – 2.75" Diameter	1	4 (Pos. 2 = R)	Alloy-C	620312

- 1 Volute may contain an additional plug on the outlet port (see reference drawing on next page).
- 2 Part required for current Impeller design (without hub) used with Type 9A Single Mechanical Seal.
- 3 O-ring for internal seal housing groove (not shown). Earlier design did not include groove and O-ring.

Liquiflo
Chemical Processing Pumps™

Centry® Series Centrifugal Pumps
BOM: SEALED Model 620
with Single Internal Mech. Seal – Type 9A

Centry® Model 620 with Single Internal Mechanical Seal – Type 9A



<p>Liquiflo Chemical Processing Pumps™</p>	<p>Centry® Series Centrifugal Pumps BOM: SEALED Model 620 with Double Mechanical Seal – Type 9T</p>
--	--

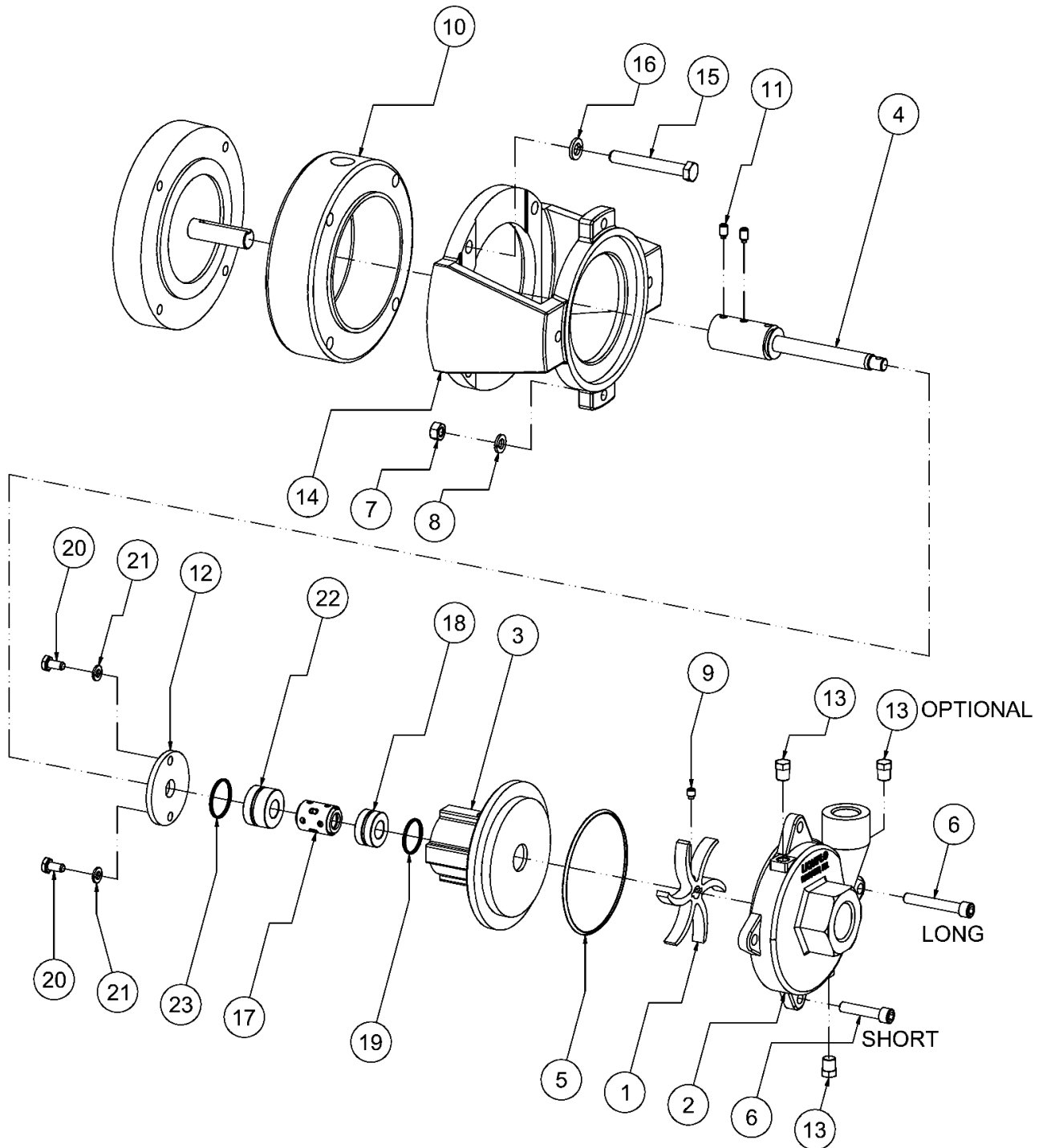
Part Description	Drwg. Item #	Alloy-C Construction		
		Code	Material	620
Position 2 – Impeller Size				
Impeller, Full Size – 3.75" Diameter	1	F	Alloy-C	620302
Impeller, Reduced Size	1	R	Alloy-C	See Position 7
Position 3 – Basic Material of Construction & Port Type (Volute, Plugs & Hardware)				
Volute, Threaded (NPT)	2	H	Alloy-C	620002
Volute, Flanged (150# ANSI RF)	2	C	Alloy-C	620006
Plug, 1/8 NPT (Volute) ¹	13	H, C	Alloy-C	362301 (2)
Setscrew, Impeller (1/4-28 x 3/8 SHSS-HD)	9	H, C	Alloy-C/Teflon	S620001
Setscrew, Shaft (1/4-28 x 3/8 SHSS-FD)	11	H, C	18-8 SS	621104 (2)
Bolt, Volute (5/16-18 x 1-3/4 SHCS)	6	H, C	18-8 SS	621101 (3)
Bolt, Volute (5/16-18 x 2-1/4 SHCS)	6	H, C	18-8 SS	621102 (1)
Nut, Volute (5/16-18 Hex)	7	H, C	18-8 SS	621103 (4)
Lockwasher, Volute (5/16)	8	H, C	18-8 SS	3126341 (4)
Spacer Plate	10	H, C	CS/Epoxy	620802
Position 4 – Seal Configuration				
Double Mechanical Seal – Type 9T	17	4	316 SS/Carbon	A-867031
Seal Seat, Inner	18	4	SiC	621016
Seal Seat, Outer	22	4	SiC	621018
Seal Housing, DMS	3	4	Alloy-C	620118
Gland Plate	12	4	316 SS	621209
Screw, Gland Plate (1/4-28 x 5/8 HHCS)	20	4	18-8 SS	S620013 (2)
Lockwasher, Gland Plate (1/4)	21	4	18-8 SS	863701 (2)
Position 5 – Motor Frame (Shaft, Bracket, Power Frame & Motor Hardware)				
Shaft – 5/8" Bore (NEMA 56C or PF)	4	0, P	Alloy-C/303 SS	620410
Shaft – 7/8" Bore (NEMA 143/145TC)	4	1	Alloy-C/303 SS	620430
Bracket, Mounting (Open Design)	14	0, 1, P	CI/Epoxy	620801
Power Frame	–	P	CI/CS/Epoxy	A-620804
Bolt, Motor/Power Frame (3/8-16 x 1 HHCS)	15	0, 1, P	18-8 SS	620825 (4)
Lockwasher, Motor/Power Frame (3/8)	16	0, 1, P	18-8 SS	S1004 (4)
Position 6 – O-Rings/Gaskets				
Gasket, Volute	5	0	Teflon	620601
O-ring, Volute (2-154)	5	V	Viton	620621
Gasket, Volute	5	G	Graphoil	620603
O-ring, Seal Seat, Inner (2-022)	19	0, V, G	Viton	620613
O-ring, Seal Seat, Outer (2-024)	23	0, V, G	Viton	620614
Position 7 – Impeller Trim				
Impeller, Full Size	1	0 (Pos. 2 = F)	Alloy-C	See Position 2
Impeller, Reduced – 3.50" Diameter	1	1 (Pos. 2 = R)	Alloy-C	620309
Impeller, Reduced – 3.25" Diameter	1	2 (Pos. 2 = R)	Alloy-C	620310
Impeller, Reduced – 3.00" Diameter	1	3 (Pos. 2 = R)	Alloy-C	620311
Impeller, Reduced – 2.75" Diameter	1	4 (Pos. 2 = R)	Alloy-C	620312

1 Volute may contain an additional plug on the outlet port (see reference drawing on next page).

Liquiflo
Chemical Processing Pumps™

Centry® Series Centrifugal Pumps
BOM: SEALED Model 620
with Double Mechanical Seal – Type 9T

Centry® Model 620 with Double Mechanical Seal – Type 9T



Liquiflo Chemical Processing Pumps™	Centry® Series Centrifugal Pumps BOM: SEALED Model 620 with Packing Seal
--	---

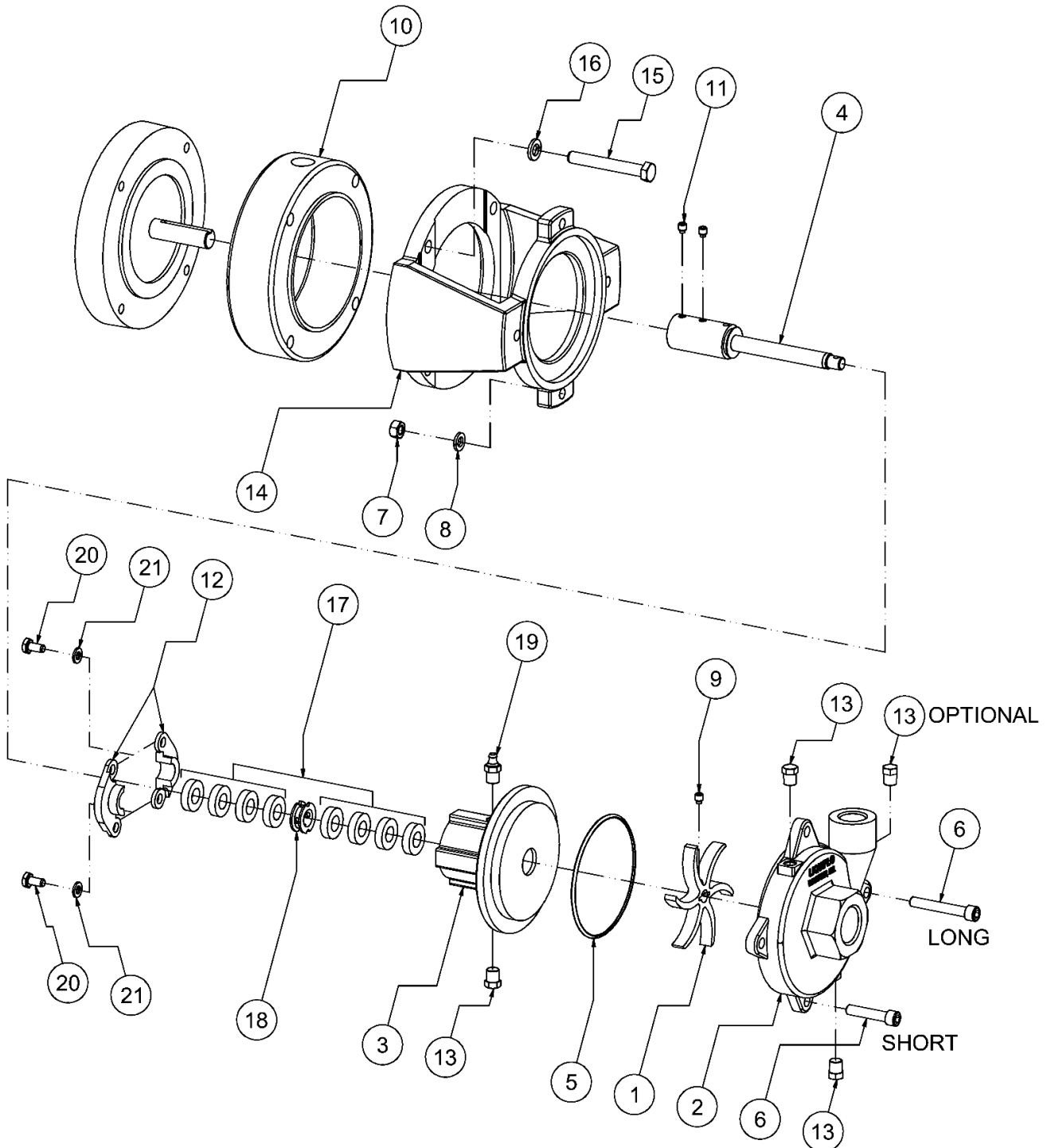
Part Description	Drwg. Item #	Alloy-C Construction		
		Code	Material	620
Position 2 – Impeller Size				
Impeller, Full Size – 3.75" Diameter	1	F	Alloy-C	620302
Impeller, Reduced Size	1	R	Alloy-C	See Position 7
Position 3 – Basic Material of Construction & Port Type (Volute, Plugs & Hardware)				
Volute, Threaded (NPT)	2	H	Alloy-C	620002
Volute, Flanged (150# ANSI RF)	2	C	Alloy-C	620006
Plug, 1/8 NPT (Volute) ¹	13	H, C	Alloy-C	362301 (2)
Setscrew, Impeller (1/4-28 x 3/8 SHSS-HD)	9	H, C	Alloy-C/Teflon	S620001
Setscrew, Shaft (1/4-28 x 3/8 SHSS-FD)	11	H, C	18-8 SS	621104 (2)
Bolt, Volute (5/16-18 x 1-3/4 SHCS)	6	H, C	18-8 SS	621101 (3)
Bolt, Volute (5/16-18 x 2-1/4 SHCS)	6	H, C	18-8 SS	621102 (1)
Nut, Volute (5/16-18 Hex)	7	H, C	18-8 SS	621103 (4)
Lockwasher, Volute (5/16)	8	H, C	18-8 SS	3126341 (4)
Spacer Plate	10	H, C	CS/Epoxy	620802
Position 4 – Seal Configuration				
Packing Ring	17	5	Teflon	866501 (8)
Packing Ring	17	7	Graphoil	866409 (8)
Lantern Ring	18	5, 7	Teflon	867109
Seal Housing, PS	3	5, 7	Alloy-C	620114
Plug, 1/8 NPT (Seal Housing)	13	5, 7	Alloy-C	362301
Grease Fitting, 1/8 NPT (Seal Housing)	19	5, 7	303 SS	867201
Gland Plate, Split	12	5, 7	Alloy-C	621205 (2)
Screw, Gland Plate (1/4-28 x 1 HHCS)	20	5, 7	18-8 SS	362005 (2)
Lockwasher, Gland Plate (1/4)	21	5, 7	18-8 SS	863701 (2)
Position 5 – Motor Frame (Shaft, Bracket, Power Frame & Motor Hardware)				
Shaft – 5/8" Bore (NEMA 56C or PF)	4	0, P	Alloy-C/303 SS	620410
Shaft – 7/8" Bore (NEMA 143/145TC)	4	1	Alloy-C/303 SS	620430
Bracket, Mounting (Open Design)	14	0, 1, P	CI/Epoxy	620801
Power Frame	–	P	CI/CS/Epoxy	A-620804
Bolt, Motor/Power Frame (3/8-16 x 1 HHCS)	15	0, 1, P	18-8 SS	620825 (4)
Lockwasher, Motor/Power Frame (3/8)	16	0, 1, P	18-8 SS	S1004 (4)
Position 6 – O-Rings/Gaskets				
Gasket, Volute	5	0	Teflon	620601
O-ring, Volute (2-154)	5	V	Viton	620621
Gasket, Volute	5	G	Graphoil	620603
Position 7 – Impeller Trim				
Impeller, Full Size	1	0 (Pos. 2 = F)	Alloy-C	See Position 2
Impeller, Reduced – 3.50" Diameter	1	1 (Pos. 2 = R)	Alloy-C	620309
Impeller, Reduced – 3.25" Diameter	1	2 (Pos. 2 = R)	Alloy-C	620310
Impeller, Reduced – 3.00" Diameter	1	3 (Pos. 2 = R)	Alloy-C	620311
Impeller, Reduced – 2.75" Diameter	1	4 (Pos. 2 = R)	Alloy-C	620312

¹ Volute may contain an additional plug on the outlet port (see reference drawing on next page).

Liquiflo
Chemical Processing Pumps™

Centry® Series Centrifugal Pumps
BOM: SEALED Model 620
with Packing Seal

Centry® Model 620 with Packing Seal



Liquiflo Chemical Processing Pumps™	Centry® Series Centrifugal Pumps BOM: MAG-DRIVE Model 620-MC
--	---

Part Description	Drwg. Item #	316 Stainless Steel Construction		
		Code	Material	620
Position 2 – Impeller Size				
Impeller, Full Size – 3.75" Diameter	1	F	316 SS	620301
Impeller, Reduced Size	1	R	316 SS	See Position 10
Position 3 – Basic Material & Port Type (Volute, Bearing Holder, Plugs, C. Can, Pins & Hardware)				
Volute, Threaded (NPT)	2	S	316 SS	620003
Volute, Flanged (150# ANSI RF)	2	L	316 SS	620005
Front Bearing Holder	3	S, L	316 SS	S620020
Plug, 1/8 NPT (Volute & Bearing Holder) ¹	15	S, L	316 SS	362304 (3)
Containment Can	12	S, L	316 SS	S620010
Pin, Thrust Washer	19	S, L	316 SS	620806 (2)
Setscrew, Impeller (1/4-28 x 3/8 SHSS-HD)	8	S, L	316 SS/Teflon	S620000
Bolt, Containment Can (1/4-28 x 5/8 HHCS)	13	S, L	18-8 SS	S620013 (6)
Bolt, Volute (5/16-18 x 1-3/4 SHCS)	6	S, L	18-8 SS	621101 (3)
Bolt, Volute (5/16-18 x 2-1/4 SHCS)	6	S, L	18-8 SS	621102 (1)
Lockwasher, Volute (5/16)	7	S, L	18-8 SS	3126341 (4)
Position 4 – Bearings				
Bearing	17	3	Teflon	S620025 (2)
Bearing	17	B	SiC	S620029 (2)
Bearing	17	E	Carbon 60	S620032 (2)
Position 5 – Thrust Washers				
Thrust Washer	18	3	Teflon	S620720 (2)
Thrust Washer	18	B	SiC	S620726 (2)
Thrust Washer	18	E	Carbon 60	S620723 (2)
Position 6 – Motor Frame (Pedestal & Motor Hardware)				
Pedestal – NEMA 56C thru 145TC	16	0, 1	CI/Epoxy	SP000
Pedestal – IEC 71 - B5 Flange	16	2	CI/Epoxy	SP001
Pedestal – IEC 80 & 90 - B5 Flange	16	3, 4	CI/Epoxy	SP002
Bolt, Motor (3/8-16 x 1 HHCS) – 56C-145TC	10	0, 1	18-8 SS	620825 (4)
Bolt, Motor (3/8-16 x 1-1/2 SHCS) – IEC 71	10	2	18-8 SS	781117 (4)
Bolt, Motor (M10 x 40 SHCS) – IEC 80/90	10	3, 4	18-8 SS	S1011 (4)
Lockwasher, Motor (3/8) – 56C-145TC/IEC 71	11	0, 1, 2	18-8 SS	S1004 (4)
Lockwasher, Motor (M10) – IEC 80/90	11	3, 4	18-8 SS	S1012 (4)
Nut, Motor (3/8-16 Std Hex) – IEC 71	-	2	18-8 SS	S1003 (4)
Nut, Motor (M10 Std Hex) – IEC 80/90	-	3, 4	18-8 SS	S1013 (4)
Position 7 – Shaft				
Shaft, CO-Coated	4	1	316 SS/CO	S620401-CO
Shaft, TC-Coated	4	2	316 SS/TC	S620401-TC
Position 8 – O-Rings/Gaskets				
Gasket, Volute	5	0	Teflon	620601
O-ring, Volute (2-154)	5	V	Viton	620621
Gasket, Volute	5	G	Graphoil	620603
O-ring, Containment Can (2-042)	14	0	Teflon	S4000
O-ring, Containment Can (2-042)	14	V	Viton	S4002
Gasket, Containment Can	14	G	Graphoil	S4005
Position 9 – Magnetic Coupling				
Inner Magnet, MCD (33 in-lbs) – 1/2" Bore	20	D	316SS/Ceramic	SIMCD-04
Inner Magnet, MCE (120 in-lbs) – 1/2" Bore	20	F	316SS/SmCo	SIMCE-04
Setscrew, Inner Magnet (1/4-28 x 3/8 SHSS-HD) ²	9	D, F	316 SS/Teflon	S620000
Outer Magnet, MCD (33 in-lbs) – 5/8" Bore	21	D (Pos. 6 = 0)	CS/Ceramic	SOMCD-5
Outer Magnet, MCD (33 in-lbs) – 7/8" Bore	21	D (Pos. 6 = 1)	CS/Ceramic	SOMCD-7
Outer Magnet, MCD (33 in-lbs) – 14mm Bore	21	D (Pos. 6 = 2)	CS/Ceramic	SOMCD-71
Outer Magnet, MCD (33 in-lbs) – 19mm Bore	21	D (Pos. 6 = 3)	CS/Ceramic	SOMCD-80
Outer Magnet, MCD (33 in-lbs) – 24mm Bore	21	D (Pos. 6 = 4)	CS/Ceramic	SOMCD-90
Outer Magnet, MCF (120 in-lbs) – 5/8" Bore	21	F (Pos. 6 = 0)	CS/SmCo	SOMCF-5
Outer Magnet, MCF (120 in-lbs) – 7/8" Bore	21	F (Pos. 6 = 1)	CS/SmCo	SOMCF-7
Outer Magnet, MCF (120 in-lbs) – 14mm Bore	21	F (Pos. 6 = 2)	CS/SmCo	SOMCF-71
Outer Magnet, MCF (120 in-lbs) – 19mm Bore	21	F (Pos. 6 = 3)	CS/SmCo	SOMCF-80
Outer Magnet, MCF (120 in-lbs) – 24mm Bore	21	F (Pos. 6 = 4)	CS/SmCo	SOMCF-90
Setscrew, Outer Magnet (1/4-28 x 3/8 SHSS-CP) ²	22	D, F	CS	421104 (2)

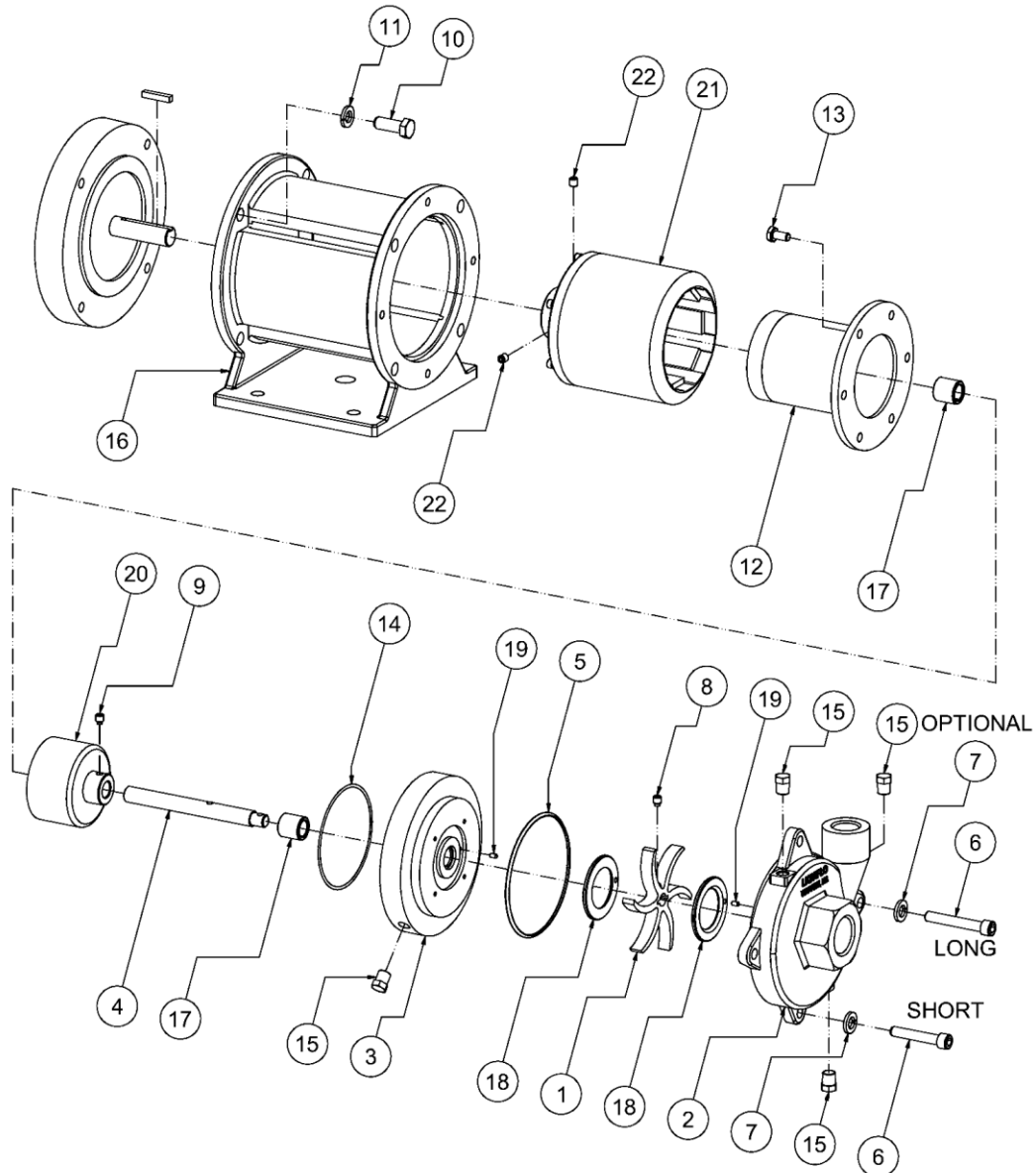
<p>Liquiflo Chemical Processing Pumps™</p>	<p>Centry® Series Centrifugal Pumps BOM: MAG-DRIVE Model 620-MC</p>
---	---

Part Description	Drwg. Item #	316 Stainless Steel Construction		
		Code	Material	620
Position 10 – Impeller Trim				
Impeller, Full Size	1	0 (Pos. 2 = F)	316 SS	See Position 2
Impeller, Reduced – 3.50" Diameter	1	1 (Pos. 2 = R)	316 SS	620305
Impeller, Reduced – 3.25" Diameter	1	2 (Pos. 2 = R)	316 SS	620306
Impeller, Reduced – 3.00" Diameter	1	3 (Pos. 2 = R)	316 SS	620307
Impeller, Reduced – 2.75" Diameter	1	4 (Pos. 2 = R)	316 SS	620308
Ancillary Options				
Power Frame	-	-	CI/CS/Epoxy	A-620804
S-Adapter	-	-	CS/Epoxy	SADAPT
Bolt, S-Adapter (3/8-16 x 1-1/4 HHCS)	-	-	18-8 SS	S1000 (4)
Nut, S-Adapter (3/8-16 Hex)	-	-	18-8 SS	S1003 (4)
Lockwasher, S-Adapter (3/8)	-	-	18-8 SS	S1004 (4)

1 Volute may contain an additional plug on the outlet port (see drawing below).

2 Setscrew included with magnet assembly.

Centry® MAG-DRIVE Model 620-MC



Liquiflo Chemical Processing Pumps™	Centry® Series Centrifugal Pumps BOM: MAG-DRIVE Model 620-MC
--	---

Part Description	Drwg. Item #	Alloy-C Construction		
		Code	Material	620
Position 2 – Impeller Size				
Impeller, Full Size – 3.75" Diameter	1	F	Alloy-C	620302
Impeller, Reduced Size	1	R	Alloy-C	See Position 10
Position 3 – Basic Material & Port Type (Volute, Bearing Holder, Plugs, C. Can, Pins & Hardware)				
Volute, Threaded (NPT)	2	H	Alloy-C	620002
Volute, Flanged (150# ANSI RF)	2	C	Alloy-C	620006
Front Bearing Holder	3	H, C	Alloy-C	S620021
Plug, 1/8 NPT (Volute & Bearing Holder) ¹	15	H, C	Alloy-C	362301 (3)
Containment Can	12	H, C	Alloy-C	S620011
Pin, Thrust Washer	19	H, C	Alloy-C	360804 (2)
Setscrew, Impeller (1/4-28 x 3/8 SHSS-HD)	8	H, C	Alloy-C/Teflon	S620001
Bolt, Containment Can (1/4-28 x 5/8 HHCS)	13	H, C	18-8 SS	S620013 (6)
Bolt, Volute (5/16-18 x 1-3/4 SHCS)	6	H, C	18-8 SS	621101 (3)
Bolt, Volute (5/16-18 x 2-1/4 SHCS)	6	H, C	18-8 SS	621102 (1)
Lockwasher, Volute (5/16)	7	H, C	18-8 SS	3126341 (4)
Position 4 – Bearings				
Bearing	17	3	Teflon	S620025 (2)
Bearing	17	B	SiC	S620029 (2)
Bearing	17	E	Carbon 60	S620032 (2)
Position 5 – Thrust Washers				
Thrust Washer	18	3	Teflon	S620720 (2)
Thrust Washer	18	B	SiC	S620726 (2)
Thrust Washer	18	E	Carbon 60	S620723 (2)
Position 6 – Motor Frame (Pedestal & Motor Hardware)				
Pedestal – NEMA 56C thru 145TC	16	0, 1	Cl/Epoxy	SP000
Pedestal – IEC 71 - B5 Flange	16	2	Cl/Epoxy	SP001
Pedestal – IEC 80 & 90 - B5 Flange	16	3, 4	Cl/Epoxy	SP002
Bolt, Motor (3/8-16 x 1 HHCS) – 56C-145TC	10	0, 1	18-8 SS	620825 (4)
Bolt, Motor (3/8-16 x 1-1/2 SHCS) – IEC 71	10	2	18-8 SS	781117 (4)
Bolt, Motor (M10 x 40 SHCS) – IEC 80/90	10	3, 4	18-8 SS	S1011 (4)
Lockwasher, Motor (3/8) – 56C-145TC/IEC 71	11	0, 1, 2	18-8 SS	S1004 (4)
Lockwasher, Motor (M10) – IEC 80/90	11	3, 4	18-8 SS	S1012 (4)
Nut, Motor (3/8-16 Std Hex) – IEC 71	-	2	18-8 SS	S1003 (4)
Nut, Motor (M10 Std Hex) – IEC 80/90	-	3, 4	18-8 SS	S1013 (4)
Position 7 – Shaft				
Shaft, CO-Coated	4	1	Alloy-C/CO	S620402-CO
Shaft, TC-Coated	4	2	Alloy-C/TC	S620402-TC
Position 8 – O-Rings/Gaskets				
Gasket, Volute	5	0	Teflon	620601
O-ring, Volute (2-154)	5	V	Viton	620621
Gasket, Volute	5	G	Graphoil	620603
O-ring, Containment Can (2-042)	14	0	Teflon	S4000
O-ring, Containment Can (2-042)	14	V	Viton	S4002
Gasket, Containment Can	14	G	Graphoil	S4005
Position 9 – Magnetic Coupling				
Inner Magnet, MCD (33 in-lbs) – 1/2" Bore	20	D	Alloy-C/Ceramic	SIMCD-14
Inner Magnet, MCE (120 in-lbs) – 1/2" Bore	20	F	Alloy-C/SmCo	SIMCE-14
Setscrew, Inner Magnet (1/4-28 x 3/8 SHSS-HD) ²	9	D, F	Alloy-C/Teflon	S620001
Outer Magnet, MCD (33 in-lbs) – 5/8" Bore	21	D (Pos. 6 = 0)	CS/Ceramic	SOMCD-5
Outer Magnet, MCD (33 in-lbs) – 7/8" Bore	21	D (Pos. 6 = 1)	CS/Ceramic	SOMCD-7
Outer Magnet, MCD (33 in-lbs) – 14mm Bore	21	D (Pos. 6 = 2)	CS/Ceramic	SOMCD-71
Outer Magnet, MCD (33 in-lbs) – 19mm Bore	21	D (Pos. 6 = 3)	CS/Ceramic	SOMCD-80
Outer Magnet, MCD (33 in-lbs) – 24mm Bore	21	D (Pos. 6 = 4)	CS/Ceramic	SOMCD-90
Outer Magnet, MCF (120 in-lbs) – 5/8" Bore	21	F (Pos. 6 = 0)	CS/SmCo	SOMCF-5
Outer Magnet, MCF (120 in-lbs) – 7/8" Bore	21	F (Pos. 6 = 1)	CS/SmCo	SOMCF-7
Outer Magnet, MCF (120 in-lbs) – 14mm Bore	21	F (Pos. 6 = 2)	CS/SmCo	SOMCF-71
Outer Magnet, MCF (120 in-lbs) – 19mm Bore	21	F (Pos. 6 = 3)	CS/SmCo	SOMCF-80
Outer Magnet, MCF (120 in-lbs) – 24mm Bore	21	F (Pos. 6 = 4)	CS/SmCo	SOMCF-90
Setscrew, Outer Magnet (1/4-28 x 3/8 SHSS-CP) ²	22	D, F	CS	421104 (2)

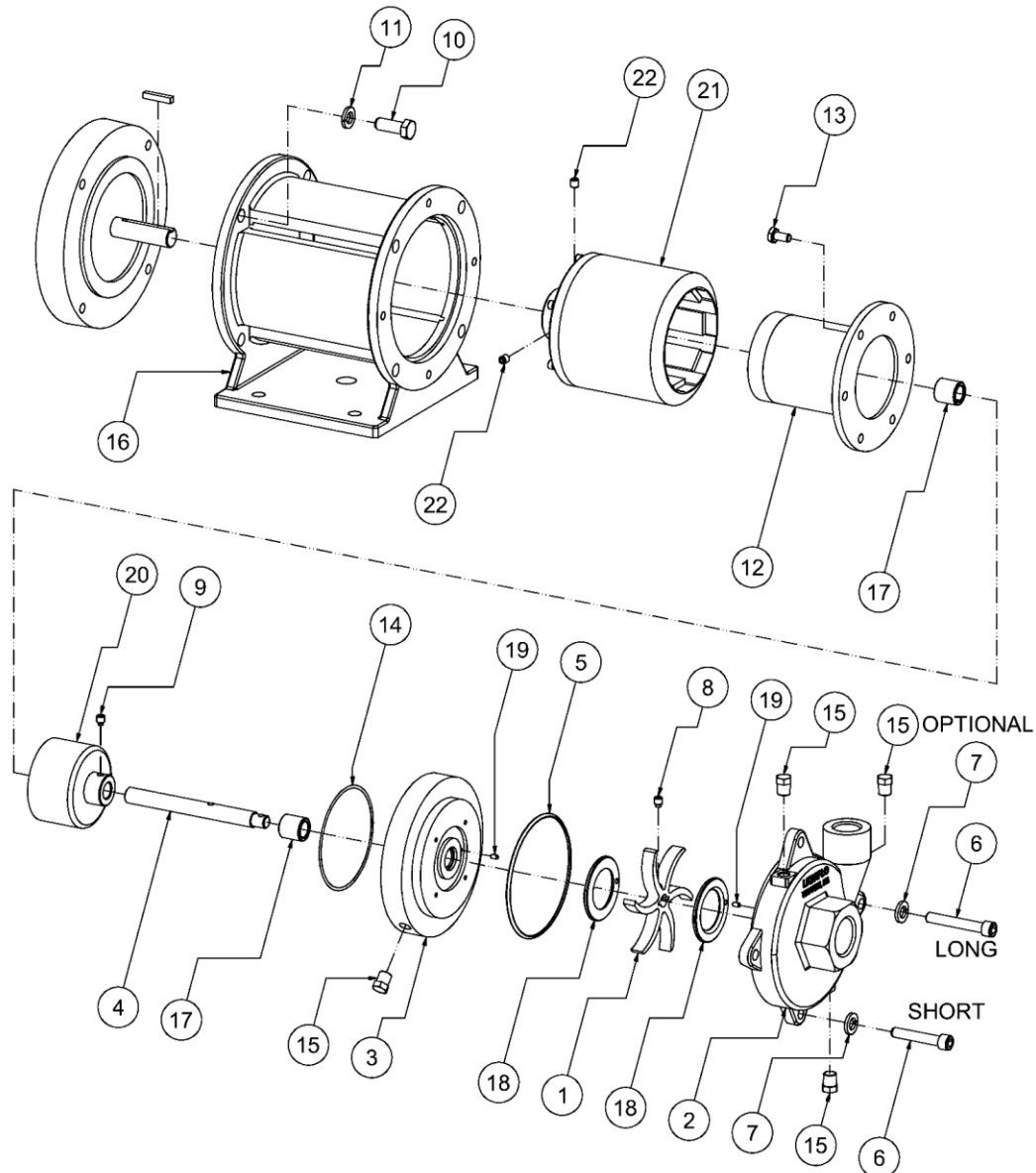
Liquiflo Chemical Processing Pumps™	Centry® Series Centrifugal Pumps BOM: MAG-DRIVE Model 620-MC
--	---

Part Description	Drwg. Item #	Alloy-C Construction		
		Code	Material	620
Position 10 – Impeller Trim				
Impeller, Full Size	1	0 (Pos. 2 = F)	Alloy-C	See Position 2
Impeller, Reduced – 3.50" Diameter	1	1 (Pos. 2 = R)	Alloy-C	620309
Impeller, Reduced – 3.25" Diameter	1	2 (Pos. 2 = R)	Alloy-C	620310
Impeller, Reduced – 3.00" Diameter	1	3 (Pos. 2 = R)	Alloy-C	620311
Impeller, Reduced – 2.75" Diameter	1	4 (Pos. 2 = R)	Alloy-C	620312
Ancillary Options				
Power Frame	-	-	CI/CS/Epoxy	A-620804
S-Adapter	-	-	CS/Epoxy	SADAPT
Bolt, S-Adapter (3/8-16 x 1-1/4 HHCS)	-	-	18-8 SS	S1000 (4)
Nut, S-Adapter (3/8-16 Hex)	-	-	18-8 SS	S1003 (4)
Lockwasher, S-Adapter (3/8)	-	-	18-8 SS	S1004 (4)

1 Volute may contain an additional plug on the outlet port (see drawing below).

2 Setscrew included with magnet assembly.

Centry® MAG-DRIVE Model 620-MC



Liquiflo Chemical Processing Pumps™	Centry® Series Centrifugal Pumps BOM: SEALED Models 621 & 622 with Single Internal Mech. Seal – Type 21
--	--

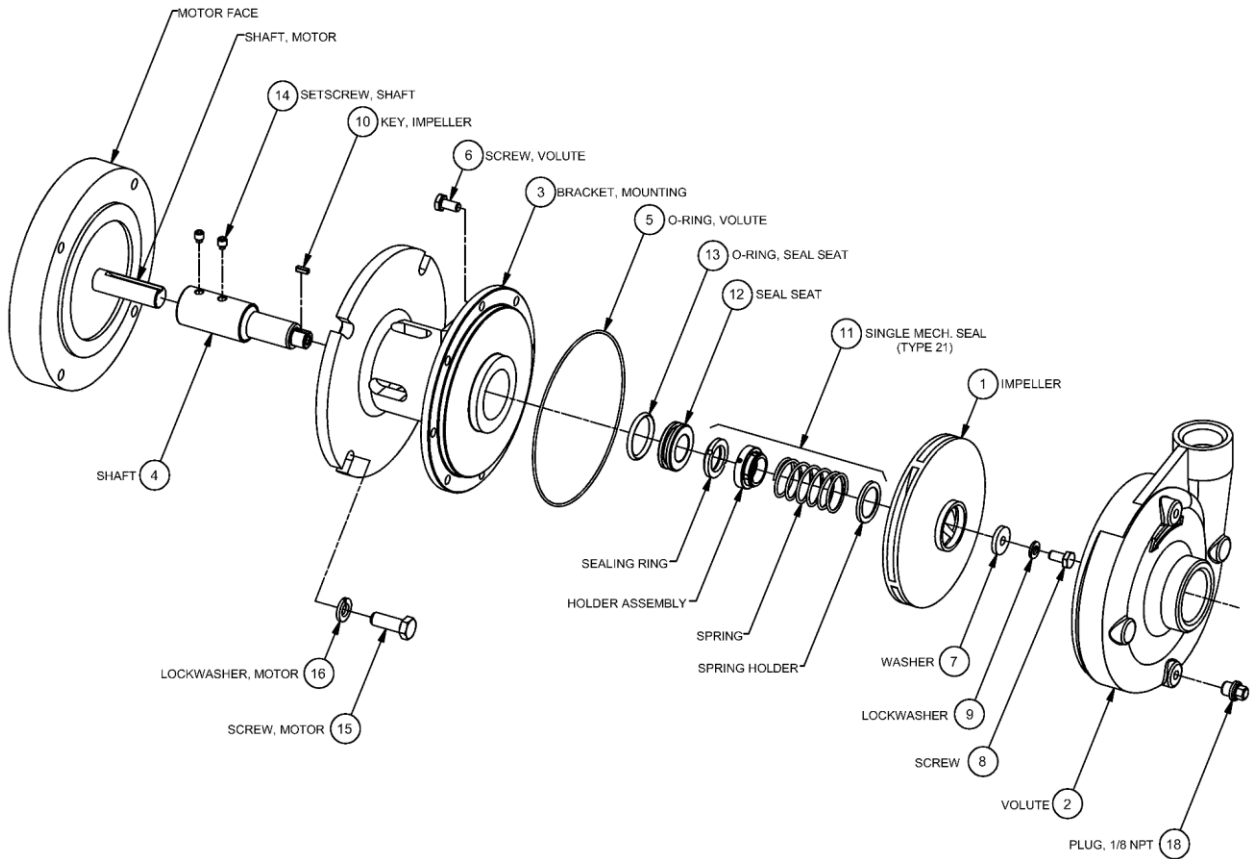
Part Description	Drwg. Item #	316 Stainless Steel Construction			
		Code	Material	621	622
Position 2 – Impeller Size					
Impeller, Full Size – 5.0" Diameter	1	F	316 SS	622700	622701
Impeller, Reduced Size	1	R	316 SS	See Position 7	
Position 3 – Basic Material of Construction & Port Type (Volute, Plugs & Hardware)					
Volute, Threaded (NPT)	2	S	316 SS	622100	622101
Volute, Flanged (150# ANSI RF)	2	L	316 SS	622110	622111
Plug, 1/8 NPT (Volute)	18	S, L	316 SS	362304 (2)	362304 (2)
Setscrew, Shaft (1/4-28 x 3/8 SHSS-FD)	14	S, L	18-8 SS	621104 (2)	621104 (2)
Bolt, Volute (1/4-28 x 5/8 HHCS)	6	S, L	18-8 SS	S620013 (8)	S620013 (8)
Lockwasher, Volute (1/4)	–	S, L	18-8 SS	863701 (8)	863701 (8)
Key, Impeller	10	S, L	316 SS	621900	621900
Washer, Impeller	7	S, L	316 SS	622500	622500
Screw, Impeller (1/4-28 x 1 HHCS)	8	S, L	316 SS	S620033	S620033
Lockwasher, Impeller (1/4)	9	S, L	316 SS	863704	863704
Impeller Positioning Device (NPT) ¹	–	S	Aluminum	621700	621701
Impeller Positioning Device (Flanged) ¹	–	L	Aluminum	621702	621703
Position 4 – Seal Configuration					
Single Mechanical Seal – Type 21	11	2	18-8 SS/Carbon	A-627011	A-627011
Seal Seat	12	2	SiC	781547	781547
Position 5 – Motor Frame (Shaft, Bracket, Adapter & Motor Hardware)					
Shaft – 5/8" Bore (NEMA 56C)	4	0	316 SS	622300	622300
Shaft – 7/8" Bore (NEMA 143/145TC)	4	1	316 SS	622301	622301
Shaft – 1-1/8" Bore (NEMA 182/184TC)	4	5	316 SS	622302	622302
Bracket, Mounting – NEMA 56C-184TC ²	3	0, 1, 5	316 SS	622200	622200
Adapter Plate (NEMA 182/184TC)	–	5	CS/Epoxy	SP0046	SP0046
Bolt, Adapter Plate (1/2-13 x 1 SHCS)	–	5	18-8 SS	641105 (4)	641105 (4)
Bolt, Motor (3/8-16 x 1 HHCS)	15	0, 1, 5	18-8 SS	620825 (4)	620825 (4)
Lockwasher, Motor (3/8)	16	0, 1, 5	18-8 SS	S1004 (4)	S1004 (4)
Position 6 – O-Rings/Gaskets					
O-ring, Volute (2-049)	5	0	Teflon	3121103	3121103
O-ring, Volute (2-049)	5	V	Viton	3121119	3121119
Gasket, Volute	5	G	Graphoil	622603	622603
O-ring, Seal Seat (2-216)	13	0, V, G	Viton	781691	781691
Position 7 – Impeller Trim					
Impeller, Full Size	1	0 (Pos. 2 = F)	316 SS	See Position 2	
Impeller, Reduced – 4.5" Diameter	1	1 (Pos. 2 = R)	316 SS	622702	622706
Impeller, Reduced – 4.0" Diameter	1	2 (Pos. 2 = R)	316 SS	622703	622707
Impeller, Reduced – 3.5" Diameter	1	3 (Pos. 2 = R)	316 SS	622704	622708
Impeller, Reduced – 3.0" Diameter	1	4 (Pos. 2 = R)	316 SS	622705	622709

¹ Delivered with new pump not attached to motor. The device is to be removed after pump is installed on motor.

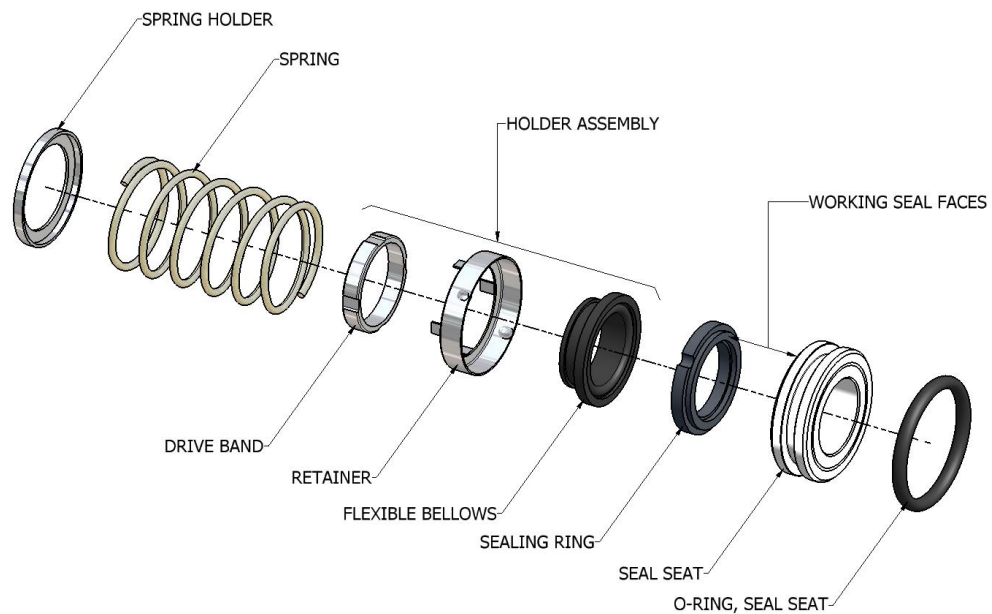
² Closed-Bracket with integral seal housing.

<p style="text-align: center;">Liquiflo Chemical Processing Pumps™</p>	<p style="text-align: center;">Centry® Series Centrifugal Pumps BOM: SEALED Models 621 & 622 with Single Internal Mech. Seal – Type 21</p>
---	---

Centry® Models 621 & 622 with Single Internal Mechanical Seal – Type 21



Type 21 Single Internal Mechanical Seal



Liquiflo Chemical Processing Pumps™	Centry® Series Centrifugal Pumps BOM: SEALED Models 621 & 622 with Single Internal Mech. Seal – Type 9T
--	--

Part Description	Drwg. Item #	316 Stainless Steel Construction			
		Code	Material	621	622
Position 2 – Impeller Size					
Impeller, Full Size – 5.0" Diameter	1	F	316 SS	622700	622701
Impeller, Reduced Size	1	R	316 SS	See Position 7	
Position 3 – Basic Material of Construction & Port Type (Volute, Plugs & Hardware)					
Volute, Threaded (NPT)	2	S	316 SS	622100	622101
Volute, Flanged (150# ANSI RF)	2	L	316 SS	622110	622111
Plug, 1/8 NPT (Volute)	18	S, L	316 SS	362304 (2)	362304 (2)
Setscrew, Shaft (1/4-28 x 3/8 SHSS-FD)	14	S, L	18-8 SS	621104 (2)	621104 (2)
Bolt, Volute (1/4-28 x 5/8 HHCS)	6	S, L	18-8 SS	S620013 (8)	S620013 (8)
Lockwasher, Volute (1/4)	–	S, L	18-8 SS	863701 (8)	863701 (8)
Key, Impeller	10	S, L	316 SS	621900	621900
Washer, Impeller	7	S, L	316 SS	622500	622500
Screw, Impeller (1/4-28 x 1 HHCS)	8	S, L	316 SS	S620033	S620033
Lockwasher, Impeller (1/4)	9	S, L	316 SS	863704	863704
Impeller Positioning Device (NPT) ¹	–	S	Aluminum	621700	621701
Impeller Positioning Device (Flanged) ¹	–	L	Aluminum	621702	621703
Position 4 – Seal Configuration					
Single Mechanical Seal – Type 9T	11	1	316 SS/Carbon	A-627020	A-627020
Single Mechanical Seal – Type 9T	11	6	316 SS/Teflon	A-627021	A-627021
Seal Seat	12	1, 6	SiC	781547	781547
Pin, Drive	19	1, 6	316 SS	622750	622750
Position 5 – Motor Frame (Shaft, Bracket, Adapter & Motor Hardware)					
Shaft – 5/8" Bore (NEMA 56C)	4	0	316 SS	622300	622300
Shaft – 7/8" Bore (NEMA 143/145TC)	4	1	316 SS	622301	622301
Shaft – 1-1/8" Bore (NEMA 182/184TC)	4	5	316 SS	622302	622302
Bracket, Mounting – NEMA 56C-184TC ²	3	0, 1, 5	316 SS	622200	622200
Adapter Plate (NEMA 182/184TC)	–	5	CS/Epoxy	SP0046	SP0046
Bolt, Adapter Plate (1/2-13 x 1 SHCS)	–	5	18-8 SS	641105 (4)	641105 (4)
Bolt, Motor (3/8-16 x 1 HHCS)	15	0, 1, 5	18-8 SS	620825 (4)	620825 (4)
Lockwasher, Motor (3/8)	16	0, 1, 5	18-8 SS	S1004 (4)	S1004 (4)
Position 6 – O-Rings/Gaskets					
O-ring, Volute (2-049)	5	0	Teflon	3121103	3121103
O-ring, Volute (2-049)	5	V	Viton	3121119	3121119
Gasket, Volute	5	G	Graphoil	622603	622603
O-ring, Seal Seat (2-216)	13	0, V, G	Viton	781691	781691
Position 7 – Impeller Trim					
Impeller, Full Size	1	0 (Pos. 2 = F)	316 SS	See Position 2	
Impeller, Reduced – 4.5" Diameter	1	1 (Pos. 2 = R)	316 SS	622702	622706
Impeller, Reduced – 4.0" Diameter	1	2 (Pos. 2 = R)	316 SS	622703	622707
Impeller, Reduced – 3.5" Diameter	1	3 (Pos. 2 = R)	316 SS	622704	622708
Impeller, Reduced – 3.0" Diameter	1	4 (Pos. 2 = R)	316 SS	622705	622709

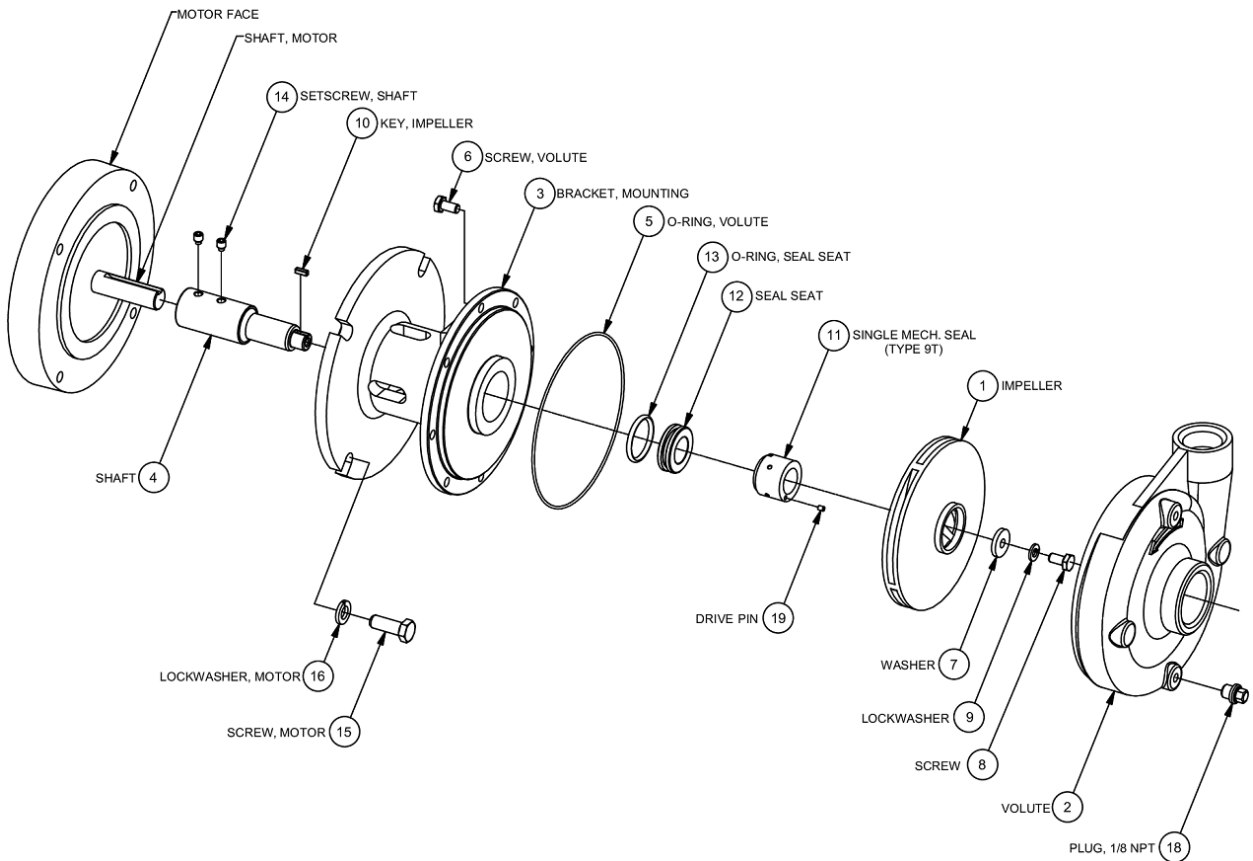
¹ Delivered with new pump not attached to motor. The device is to be removed after pump is installed on motor.

² Closed-Bracket with integral seal housing.

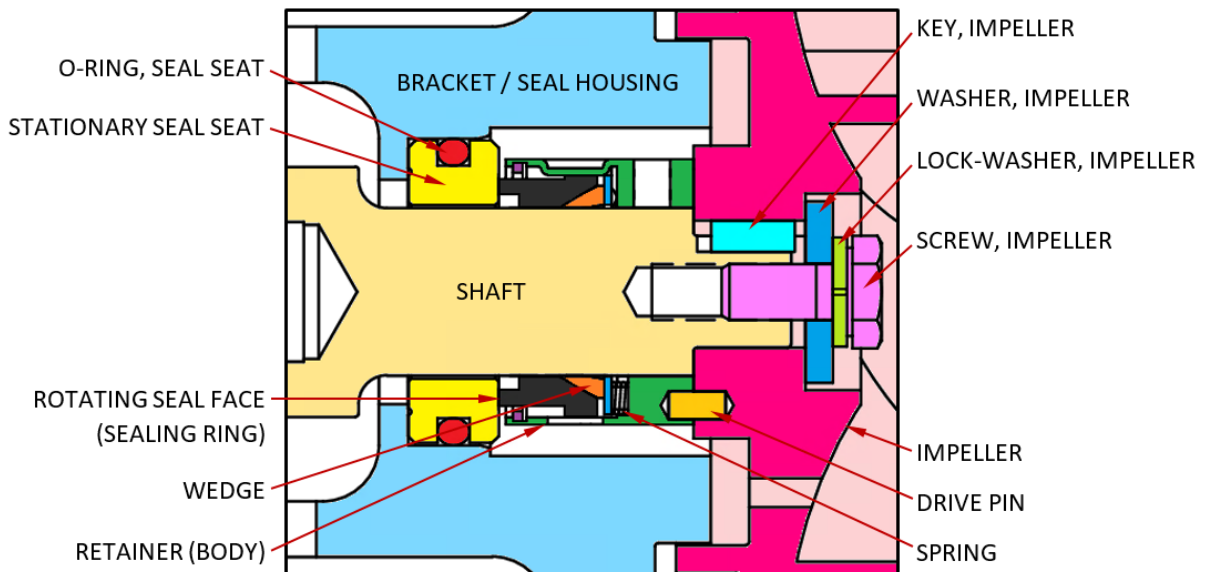
Liquiflo
Chemical Processing Pumps™

Centry® Series Centrifugal Pumps
BOM: SEALED Models 621 & 622
with Single Internal Mech. Seal – Type 9T

Centry® Models 621 & 622 with Single Internal Mechanical Seal – Type 9T



Type 9T Single Internal Mechanical Seal



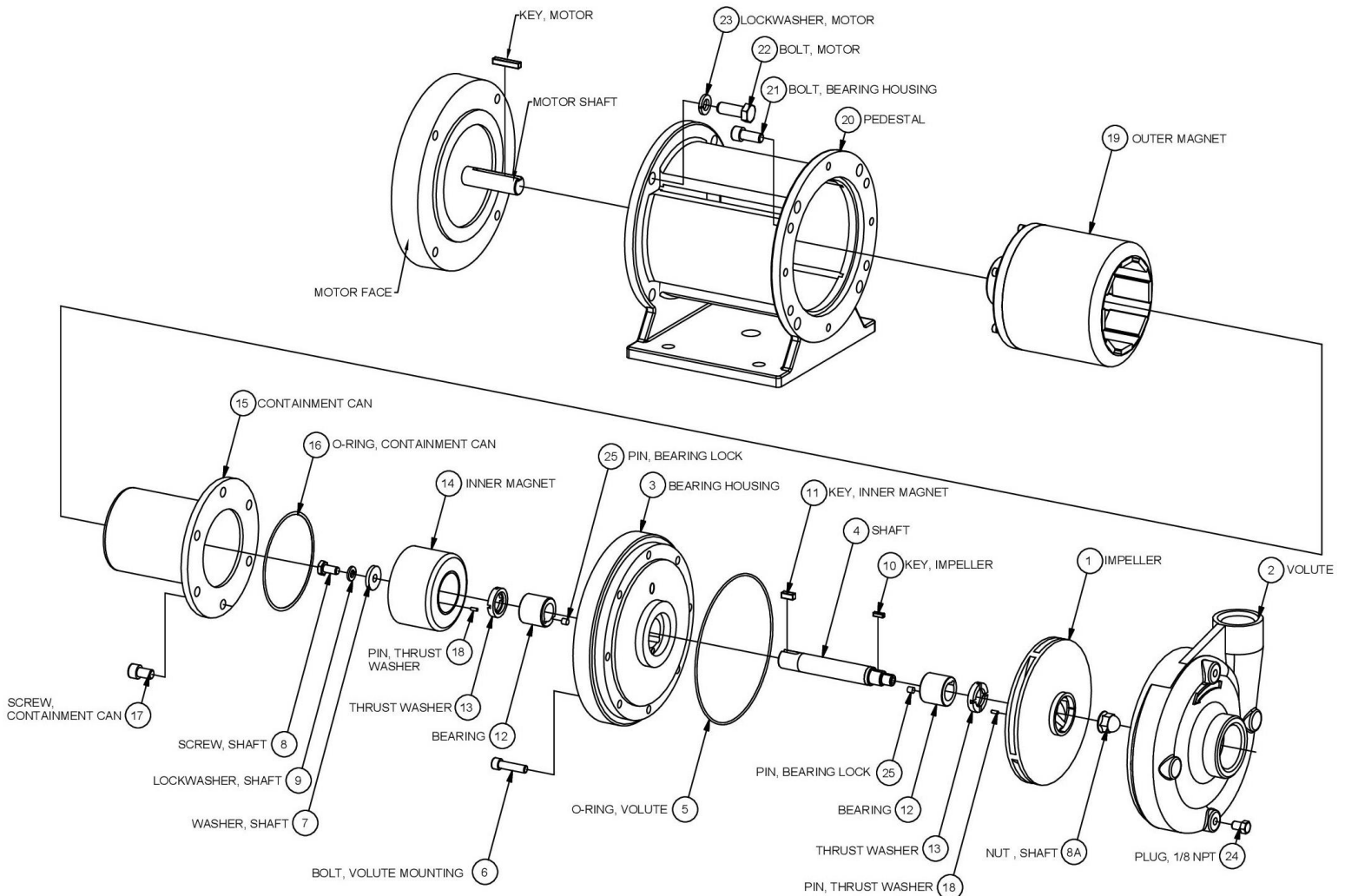
Liquiflo Chemical Processing Pumps™	Centry® Series Centrifugal Pumps BOM: MAG-DRIVE Models 621-MC & 622-MC
--	---

Part Description	Drwg. Item #	316 Stainless Steel Construction			
		Code	Material	621	622
Position 2 – Impeller Size					
Impeller, Full Size – 5.0" Diameter	1	F	316 SS	622700	622701
Impeller, Reduced Size	1	R	316 SS	See Position 10	
Position 3 – Basic Material & Port Type (Volute, Plugs, Bearing Housing, C. Can, Pins & Hardware)					
Volute, Threaded (NPT)	2	S	316 SS	622100	622101
Volute, Flanged (150# ANSI RF)	2	L	316 SS	622110	622111
Plug, 1/8 NPT (Volute)	24	S, L	316 SS	362304 (2)	362304 (2)
Bearing Housing	3	S, L	316 SS	622800	622800
Containment Can	15	S, L	316 SS	740913	740913
Pin, Bearing Lock	25	S, L	Teflon	361801 (2)	361801 (2)
Pin, Thrust Washer	18	S, L	316 SS	622750 (2)	622750 (2)
Key, Impeller	10	S, L	316 SS	621900	621900
Nut, Shaft (3/8-16 Acorn)	8A	S, L	316 SS	622845	622845
Washer, Shaft	7	S, L	316 SS	622500	622500
Screw, Shaft (1/4-28 x 5/8 HHCS)	8	S, L	316 SS	S620034	S620034
Lockwasher, Shaft (1/4)	9	S, L	316 SS	863704	863704
Bolt, Bearing Housing (5/16-18 x 1 SHCS)	21	S, L	18-8 SS	621105 (4)	621105 (4)
Bolt, Containment Can (5/16-24 x 5/8 BSHCS)	17	S, L	18-8 SS	785008 (6)	785008 (6)
Bolt, Volute (1/4-28 x 1 SHCS)	6	S, L	18-8 SS	S622005 (8)	S622005 (8)
Lockwasher, Split, Volute (1/4)	-	S, L	18-8 SS	863703 (8)	863703 (8)
Position 4 – Bearings					
Bearing	12	B	SiC	622901 (2)	622901 (2)
Bearing	12	E	Carbon 60	622902 (2)	622902 (2)
Position 5 – Thrust Washers					
Thrust Washer	13	B	SiC	622905 (2)	622905 (2)
Position 6 – Motor Frame (Pedestal, Adapter & Motor Hardware)					
Pedestal – NEMA 56C thru 145TC	20	0, 1, 5	CI/Epoxy	SP003	SP003
Pedestal – IEC 71 - B5 Flange	20	2	CI/Epoxy	SP004	SP004
Pedestal – IEC 80 & 90 - B5 Flange	20	3, 4, 8	CI/Epoxy	SP005	SP005
Adapter Plate (NEMA 182/184TC)	-	5	CS/Epoxy	SP0046	SP0046
Bolt, Adapter-to-Motor (1/2-13 x 1 SHCS)	-	5	18-8 SS	641105 (4)	641105 (4)
Shim, Pedestal	-	5	303 SS	SHIM-S105 (4)	SHIM-S105 (4)
Adapter Plate (IEC 100/112 – B5)	-	8	CS/Epoxy	SP0048	SP0048
Bolt, Adapter-to-Pedestal (3/8-16 x 1 SHCS)	-	8	18-8 SS	781118 (4)	781118 (4)
Lockwasher, Adapter (3/8)	-	8	18-8 SS	S1004 (4)	S1004 (4)
Shim, Pedestal	-	8	CS/Epoxy	SHIM-112 (4)	SHIM-112 (4)
Bolt, Motor (3/8-16 x 1 HHCS) – 56C-184TC	22	0, 1, 5	18-8 SS	620825 (4)	620825 (4)
Bolt, Motor (3/8-16 x 1-1/2 SHCS) – IEC 71	22	2	18-8 SS	781117 (4)	781117 (4)
Bolt, Motor (M10 x 40 SHCS) – IEC 80/90	22	3, 4	18-8 SS	S1011 (4)	S1011 (4)
Bolt, Motor (1/2-13 x 2 FH-SHCS) – IEC 100/112	22	8	18-8 SS	S641111 (4)	S641111 (4)
Lockwasher, Motor (3/8) – 56C-184TC/IEC 71	23	0, 1, 2, 5	18-8 SS	S1004 (4)	S1004 (4)
Lockwasher, Motor (M10) – IEC 80/90	23	3, 4	18-8 SS	S1012 (4)	S1012 (4)
Lockwasher, Motor (1/2) – IEC 100/112	23	8	18-8 SS	641107 (4)	641107 (4)
Nut, Motor (3/8-16 Std Hex) – IEC 71	-	2	18-8 SS	S1003 (4)	S1003 (4)
Nut, Motor (M10 Std Hex) – IEC 80/90	-	3, 4	18-8 SS	S1013 (4)	S1013 (4)
Nut, Motor (1/2-13) – IEC 100/112	-	8	18-8 SS	641108 (4)	641108 (4)
Position 7 – Shaft					
Shaft, CO-Coated	4	1	316 SS/CO	S622302-CO	S622302-CO
Shaft, TC-Coated	4	2	316 SS/TC	S622302-TC	S622302-TC
Position 8 – O-Rings/Gaskets					
O-ring, Volute (2-049)	5	0	Teflon	3121103	3121103
O-ring, Volute (2-049)	5	V	Viton	3121119	3121119
Gasket, Volute	5	G	Graphoil	622603	622603
O-ring, Containment Can (2-042)	16	0	Teflon	S4000	S4000
O-ring, Containment Can (2-042)	16	V	Viton	S4002	S4002
Gasket, Containment Can	16	G	Graphoil	S4005	S4005
Position 9 – Magnetic Coupling					
Inner Magnet, MCE (120 in-lbs) – 5/8" Bore	14	F	316SS/SmCo	SIMCE-05	SIMCE-05
Inner Magnet, MCW (200 in-lbs) – 5/8" Bore	14	W	316SS/SmCo	SIMCW-05	SIMCW-05
Key, Inner Magnet	11	F, W	316 SS	S622901	S622901
Outer Magnet, MCB (120 in-lbs) – 5/8" Bore	19	F (Pos. 6 = 0)	CS/SmCo	SOMCB-5	SOMCB-5
Outer Magnet, MCB (120 in-lbs) – 7/8" Bore	19	F (Pos. 6 = 1)	CS/SmCo	SOMCB-7	SOMCB-7
Outer Magnet, MCB (120 in-lbs) – 14mm Bore	19	F (Pos. 6 = 2)	CS/SmCo	SOMCB-71	SOMCB-71

Liquiflo Chemical Processing Pumps™	Centry® Series Centrifugal Pumps BOM: MAG-DRIVE Models 621-MC & 622-MC
--	---

Part Description	Drwg. Item #	316 Stainless Steel Construction			
		Code	Material	621	622
Position 9 – Magnetic Coupling (Continued)					
Outer Magnet, MCB (120 in-lbs) – 19mm Bore	19	F (Pos. 6 = 3)	CS/SmCo	SOMCB-80	SOMCB-80
Outer Magnet, MCB (120 in-lbs) – 24mm Bore	19	F (Pos. 6 = 4)	CS/SmCo	SOMCB-90	SOMCB-90
Outer Magnet, MCB (120 in-lbs) – 1-1/8" Bore	19	F (Pos. 6 = 5)	CS/SmCo	SOMCB-9	SOMCB-9
Outer Magnet, MCB (120 in-lbs) – 28mm Bore	19	F (Pos. 6 = 8)	CS/SmCo	SOMCB-112	SOMCB-112
Outer Magnet, MCV (200 in-lbs) – 5/8" Bore	19	W (Pos. 6 = 0)	CS/SmCo	SOMCV-5	SOMCV-5
Outer Magnet, MCV (200 in-lbs) – 7/8" Bore	19	W (Pos. 6 = 1)	CS/SmCo	SOMCV-7	SOMCV-7
Outer Magnet, MCV (200 in-lbs) – 14mm Bore	19	W (Pos. 6 = 2)	CS/SmCo	SOMCV-71	SOMCV-71
Outer Magnet, MCV (200 in-lbs) – 19mm Bore	19	W (Pos. 6 = 3)	CS/SmCo	SOMCV-80	SOMCV-80
Outer Magnet, MCV (200 in-lbs) – 24mm Bore	19	W (Pos. 6 = 4)	CS/SmCo	SOMCV-90	SOMCV-90
Outer Magnet, MCV (200 in-lbs) – 1-1/8" Bore	19	W (Pos. 6 = 5)	CS/SmCo	SOMCV-9	SOMCV-9
Outer Magnet, MCV (200 in-lbs) – 28mm Bore	19	W (Pos. 6 = 8)	CS/SmCo	SOMCV-112	SOMCV-112
Position 10 – Impeller Trim					
Impeller, Full Size	1	0 (Pos. 2 = F)	316 SS	See Position 2	
Impeller, Reduced – 4.5" Diameter	1	1 (Pos. 2 = R)	316 SS	622702	622706
Impeller, Reduced – 4.0" Diameter	1	2 (Pos. 2 = R)	316 SS	622703	622707
Impeller, Reduced – 3.5" Diameter	1	3 (Pos. 2 = R)	316 SS	622704	622708
Impeller, Reduced – 3.0" Diameter	1	4 (Pos. 2 = R)	316 SS	622705	622709

Centry® MAG-DRIVE Models 621-MC & 622-MC



Appendix: Model Coding

Model 620 – Sealed

Position #	Description	Code	Selection
1	Pump Model	620	Model 620
2	Impeller Size	F	Full Size – 3.75” Diameter (Position 7 = 0)
		R	Reduced Size (Position 7 = 1, 2, 3 or 4)
3	Basic Material of Construction & Port Type	S	316 SS – NPT
		H	Alloy-C – NPT
		L	316 SS – ANSI 150# RF Flanges
		C	Alloy-C – ANSI 150# RF Flanges
4	Seal Configuration	0	Single Internal Mechanical – Type 21 (Carbon/SiC) ¹
		1	Single Internal Mechanical – Type 9T (Carbon/SiC) ¹
		2	Single Internal Mechanical – Type 9A (Carbon/SiC) ²
		3	Single Internal Mechanical – Type 9A (Teflon/SiC) ²
		4	Double Mechanical – Type 9T (Carbon/SiC) ²
		5	Lantern Ring – Teflon Packing ²
		6	Single Internal Mechanical – Type 9T (Teflon/SiC) ¹
5	Motor Frame (or Power Frame)	0	Close-Coupled – NEMA 56C ³
		1	Close-Coupled – NEMA 143TC/145TC ³
		P	Pedestal Mount – Power Frame ⁴
6	O-Rings/Gaskets	0	Teflon Housing Gasket ⁵
		V	Viton O-Rings
		G	Graphoil Housing Gasket ⁵
7	Impeller Trim (Standard)	0	No Trim (Position 2 = F)
		1	3.50” Diameter (Position 2 = R)
		2	3.25” Diameter (Position 2 = R)
		3	3.00” Diameter (Position 2 = R)
		4	2.75” Diameter (Position 2 = R)

- 1 Standard Single Mechanical Seal choices for 316 SS pumps only. New design utilizes closed 316 SS Mounting Bracket with integral Seal Housing.
- 2 Seal configurations for pumps with Legacy design. This design has Cast Iron/Epoxy-Painted Mounting Bracket with separate Seal Housing.
- 3 Pump and bracket are supported by motor; Foot-Mount Motor is required.
- 4 Power Frame requires Long-Coupled configuration.
- 5 Seal Seats for Type 21 or 9T Mechanical Seals use Viton O-Rings; Seal Seat for Type 9A SMS uses Teflon O-Ring; Seal Housing for Type 9A SMS uses Viton O-Ring.

Appendix: Model Coding (Continued)

Model 620-MC (Mag-drive)

Position #	Description	Code	Selection
1	Pump Model	620	Model 620-MC
2	Impeller Size	F	Full Size – 3.75" Diameter (Position 10 = 0)
		R	Reduced Size (Position 10 = 1, 2, 3 or 4)
3	Basic Material of Construction & Port Type	S	316 SS – NPT
		H	Alloy-C – NPT
		L	316 SS – ANSI 150# RF Flanges
		C	Alloy-C – ANSI 150# RF Flanges
4	Bearings	2	Carbon (Obsolete – Use Code E)
		3	Teflon
		B	Silicon Carbide
		E	Carbon-60
5	Thrust Washers	2	Carbon (Obsolete – Use Code E)
		3	Teflon
		B	Silicon Carbide
		E	Carbon-60
6	Motor Frame (Outer Magnet Bore)	0	NEMA 56C (5/8 in.)
		1	NEMA 143TC/145TC (7/8 in.)
		2	IEC 71 – B5 (14 mm)
		3	IEC 80 – B5 (19 mm)
		4	IEC 90 – B5 (24 mm)
7	Shaft Coating	1	Chrome Oxide
		2	Tungsten Carbide
8	O-Rings/Gaskets	0	Teflon Housing Gasket & Containment Can O-Ring
		V	Viton O-Rings
		G	Graphoil Gaskets
9	Magnetic Coupling	D	MCD – 33 in-lbs
		F	MCF – 120 in-lbs
10	Impeller Trim (Standard)	0	No Trim (Position 2 = F)
		1	3.50" Diameter (Position 2 = R)
		2	3.25" Diameter (Position 2 = R)
		3	3.00" Diameter (Position 2 = R)
		4	2.75" Diameter (Position 2 = R)

Appendix: Model Coding (Continued)

Models 621 & 622 – Sealed

Position #	Description	Code	Selection
1	Pump Model	621	Model 621
		622	Model 622
2	Impeller Size	F	Full Size – 5.0" Diameter (Position 7 = 0)
		R	Reduced Size (Position 7 = 1, 2, 3 or 4)
3	Basic Material of Construction & Port Type	S	316 SS – NPT
		L	316 SS – ANSI 150# RF Flanges
4	Seal Configuration	1	Single Internal Mechanical – Type 9T (Carbon/SiC)
		2	Single Internal Mechanical – Type 21 (Carbon/SiC)
		6	Single Internal Mechanical – Type 9T (Teflon/SiC)
5	Motor Frame	0	Close-Coupled – NEMA 56C ¹
		1	Close-Coupled – NEMA 143TC/145TC ¹
		5	Close-Coupled – NEMA 182TC/184TC ¹
6	O-Rings/Gaskets	0	Teflon Housing O-Ring ²
		V	Viton O-Rings
		G	Graphoil Housing Gasket ²
7	Impeller Trim (Standard)	0	No Trim (Position 2 = F)
		1	4.5" Diameter (Position 2 = R)
		2	4.0" Diameter (Position 2 = R)
		3	3.5" Diameter (Position 2 = R)
		4	3.0" Diameter (Position 2 = R)

¹ Pump and bracket are supported by motor; Foot-Mount Motor is required.

² Seal Seat for Type 21 or 9T Single Mechanical Seal uses Viton O-Ring.

Appendix: Model Coding (Continued)

Models 621-MC & 622-MC (Mag-drive)

Position #	Description	Code	Selection
1	Pump Model	621	Model 621-MC
		622	Model 622-MC
2	Impeller Size	F	Full Size – 5.0" Diameter (Position 10 = 0)
		R	Reduced Size (Position 10 = 1, 2, 3 or 4)
3	Basic Material of Construction & Port Type	S	316 SS – NPT
		L	316 SS – ANSI 150# RF Flanges
4	Bearings	2	Carbon (Obsolete – Use Code E)
		3	Teflon (Consult Factory)
		B	Silicon Carbide
		E	Carbon-60
5	Thrust Washers	2	Carbon (Obsolete – Use Code B)
		3	Teflon (Consult Factory)
		B	Silicon Carbide
6	Motor Frame (Outer Magnet Bore)	0	NEMA 56C (5/8 in.)
		1	NEMA 143TC/145TC (7/8 in.)
		2	IEC 71 – B5 (14 mm)
		3	IEC 80 – B5 (19 mm)
		4	IEC 90 – B5 (24 mm)
		5	NEMA 182TC/184TC (1-1/8 in.)
7	Shaft Coating	1	Chrome Oxide
		2	Tungsten Carbide
8	O-Rings/Gaskets	0	Teflon O-Rings
		V	Viton O-Rings
		G	Graphoil Gaskets
9	Magnetic Coupling	F	MCF – 120 in-lbs
		W	MCW – 200 in-lbs
10	Impeller Trim (Standard)	0	No Trim (Position 2 = F)
		1	4.5" Diameter (Position 2 = R)
		2	4.0" Diameter (Position 2 = R)
		3	3.5" Diameter (Position 2 = R)
		4	3.0" Diameter (Position 2 = R)

