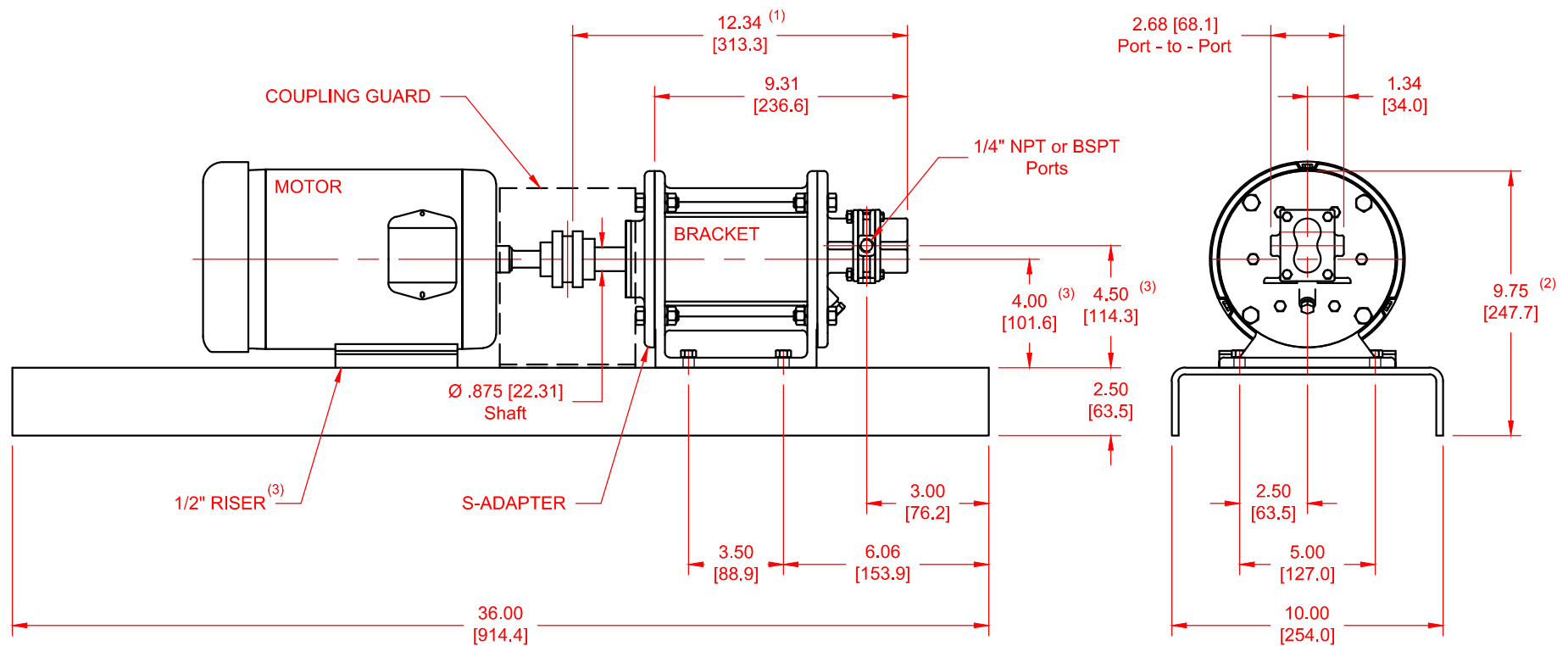


SERIES	MODEL	CONFIGURATION	SEAL TYPE
H-Series 3-Series	H1F or H3F 31F or 33F	Mag-Drive Gear Pump Long-Coupled Base-Mounted Version with NPT or BSPT Ports	Mag-Drive (Sealless)

UNITS: inches [mm]



**NOTES:**

- 1) Dimension to end of pump shaft.
- 2) Dimension to top of Bracket.
- 3) Applies for NEMA 56, 143T & 145T Motors.