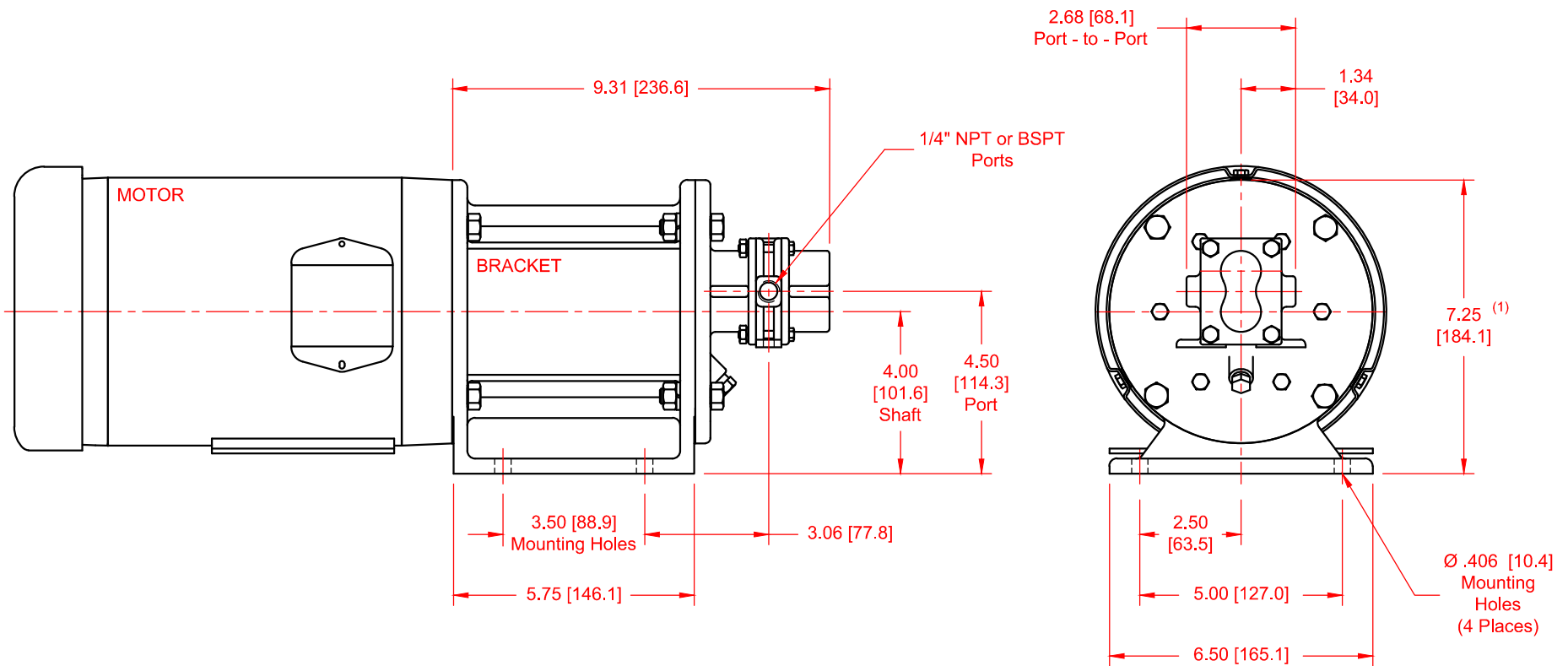


SERIES	MODEL	CONFIGURATION	SEAL TYPE
H-Series 3-Series	H1F or H3F 31F or 33F	Sealed or Mag-Drive Gear Pump Close-Coupled Version with NPT or BSPT Ports	Single, Double or External Mechanical Seal, Packing or Mag-Drive (Sealless)

UNITS: inches [mm]



NOTES:
 1) Dimension to top of Bracket.