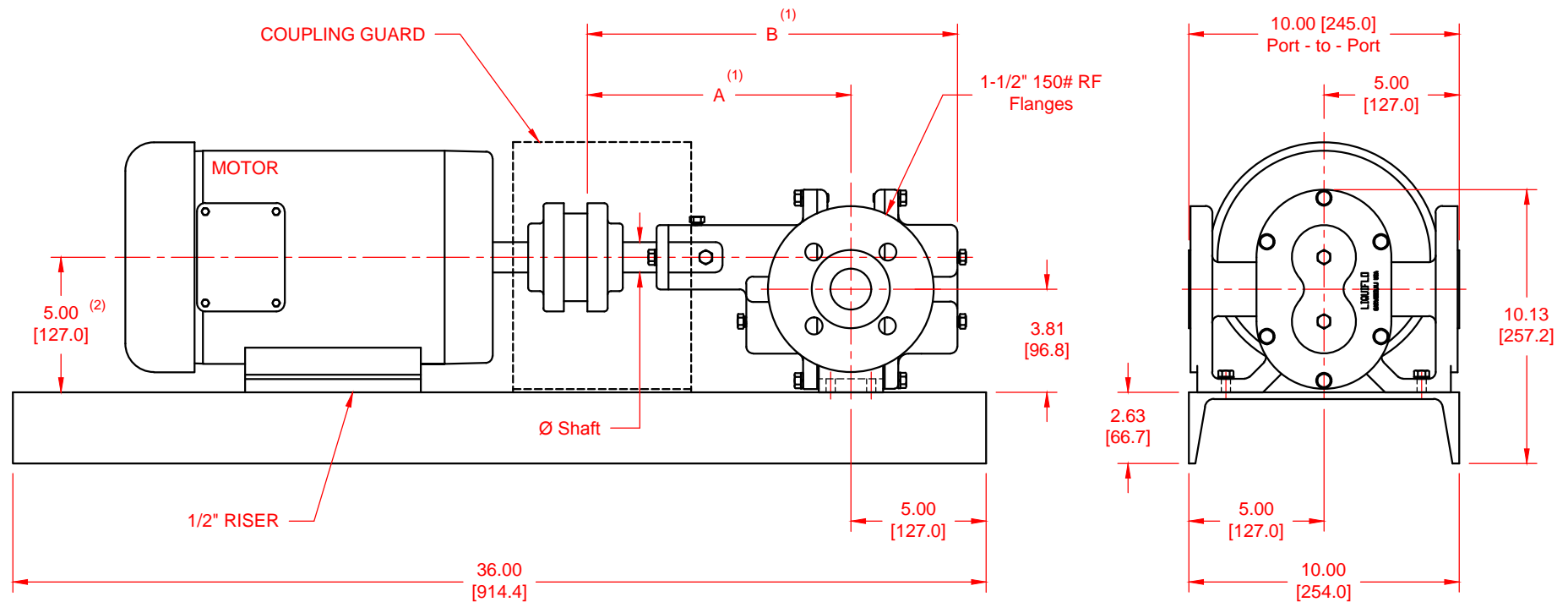


SERIES	MODEL	CONFIGURATION	SEAL TYPE
H-Series 3-Series	H12R or H12F 312R or 312F	Sealed Gear Pump, Long-Coupled Base-Mounted Version with ANSI Flanges	Single Mechanical Seal, Double Mechanical Seal or Packing

UNITS: inches [mm]

SEAL TYPE	312R or 312F Shaft Ø1.000		H12R or H12F Shaft Ø1.125	
	"A"	"B"	"A"	"B"
Single or Double Mechanical Seal	11.25 [285.8]	15.19 [385.8]	9.75 [247.6]	13.69 [347.7]
Packing	11.25 [285.8]	15.19 [385.8]	9.75 [247.6]	13.69 [347.7]



NOTES:

- 1) Dimension to end of pump shaft.
- 2) Applies for NEMA 182/184TC motor.