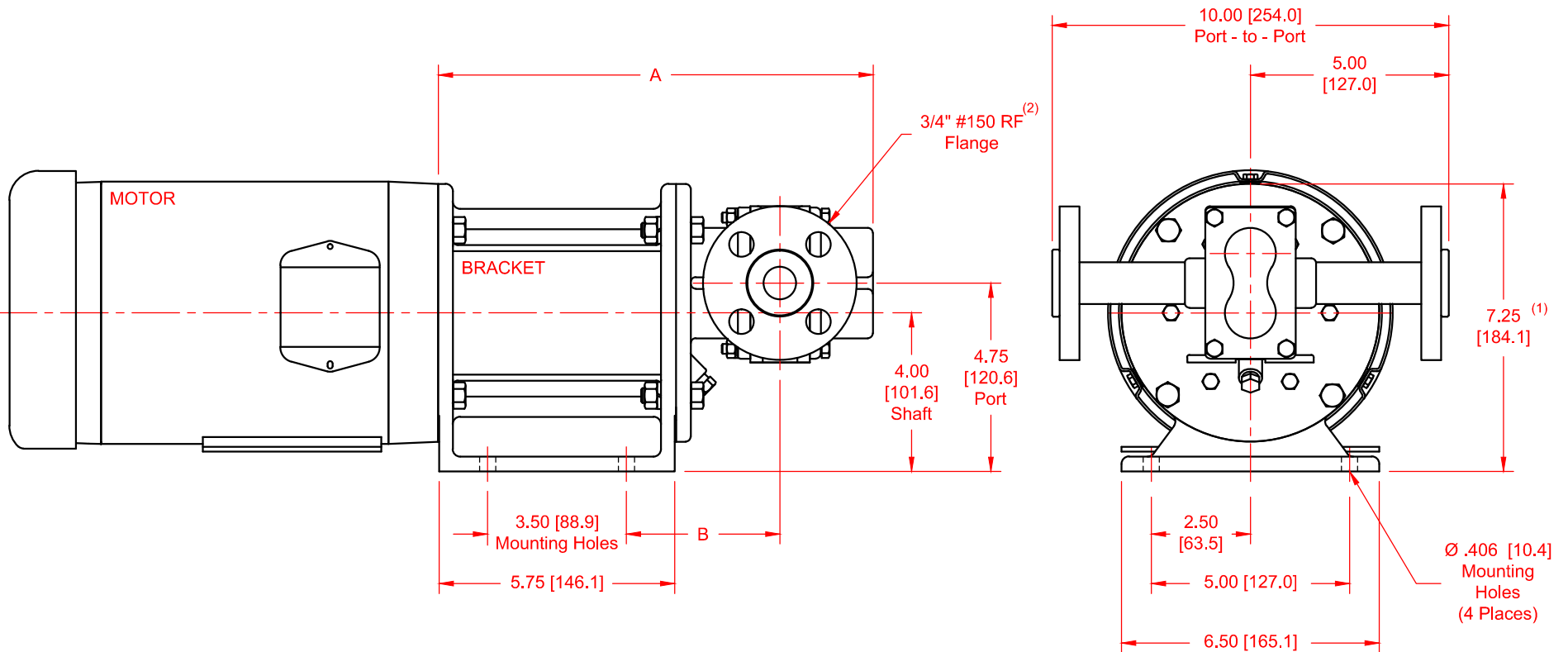


SERIES	MODEL	CONFIGURATION	SEAL TYPE
H-Series 3-Series	H7F, H7R or H7N 37F, 37R	Sealed or Mag-Drive Gear Pump Close-Coupled Version with RF Flanges.	Single, Double or External Mechanical Seal, Packing or Mag-Drive (Sealless)

UNITS: inches [mm]

MODEL	"A"	"B"
37F or H7F	10.98 [278.8]	3.88 [98.4]
37R, H7R or H7N	10.72 [272.4]	3.75 [95.3]



NOTES:

- 1) Dimension to top of Bracket.
- 2) Also available with ANSI 3/4" #300 RF and DN20 PN16 flanges.