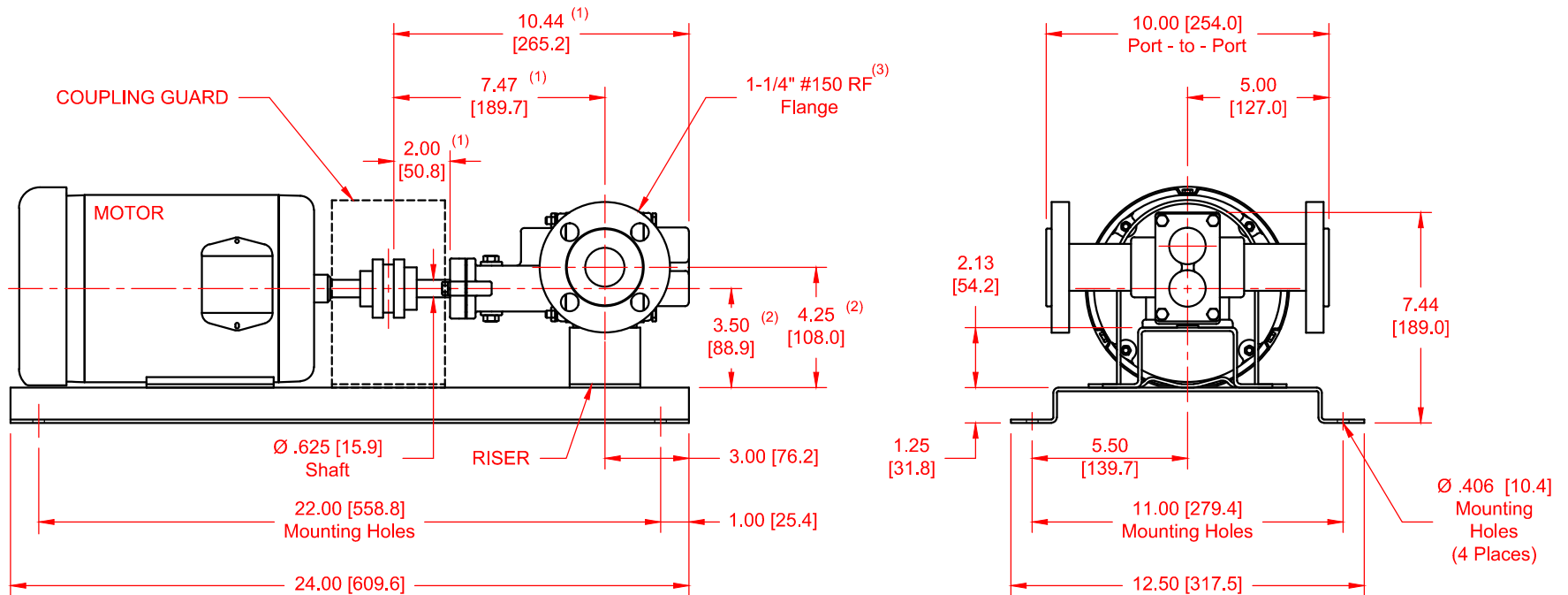


SERIES	MODEL	CONFIGURATION	SEAL TYPE
H-Series 3-Series	H9F 39F	Sealed Gear Pump Long-Coupled Base-Mounted Version with RF Flanges.	Single Mechanical Seal or Double Mechanical Seal

UNITS: inches [mm]



NOTES:

- 1) Dimension to end of pump shaft.
- 2) Applies for NEMA 56, 143T & 145T Motors.
- 3) Also available with ANSI 1-1/4" #300 RF and DN32 PN16 Flanges.