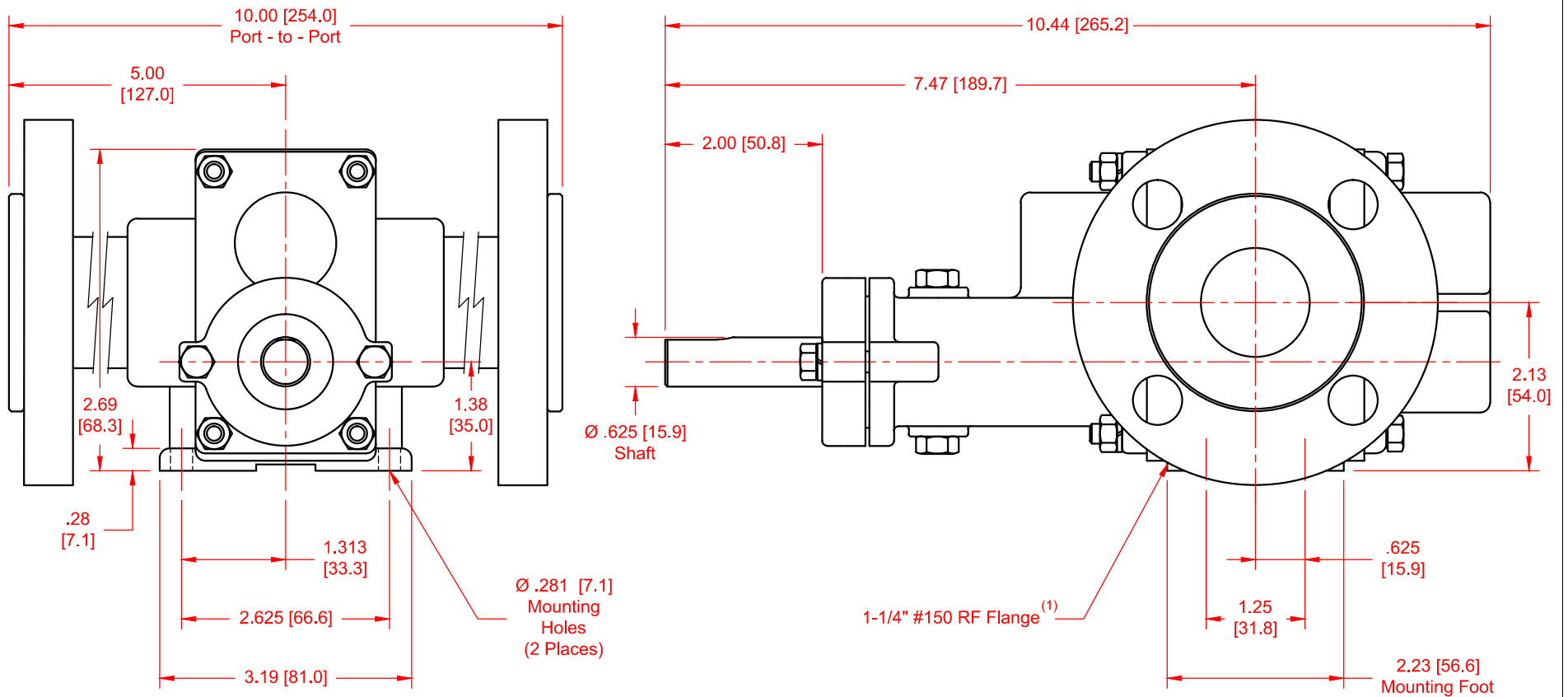


SERIES	MODEL	CONFIGURATION	SEAL TYPE
H-Series 3-Series	H9F 39F	Sealed Gear Pump, Long-Coupled Version with RF Flanges.	Single Mechanical Seal or Double Mechanical Seal

UNITS: inches [mm]



NOTES:

1) Also available with ANSI 1-1/4" #300 RF and DN32 PN16 flanges.

DWG. NO. 20404 REV.