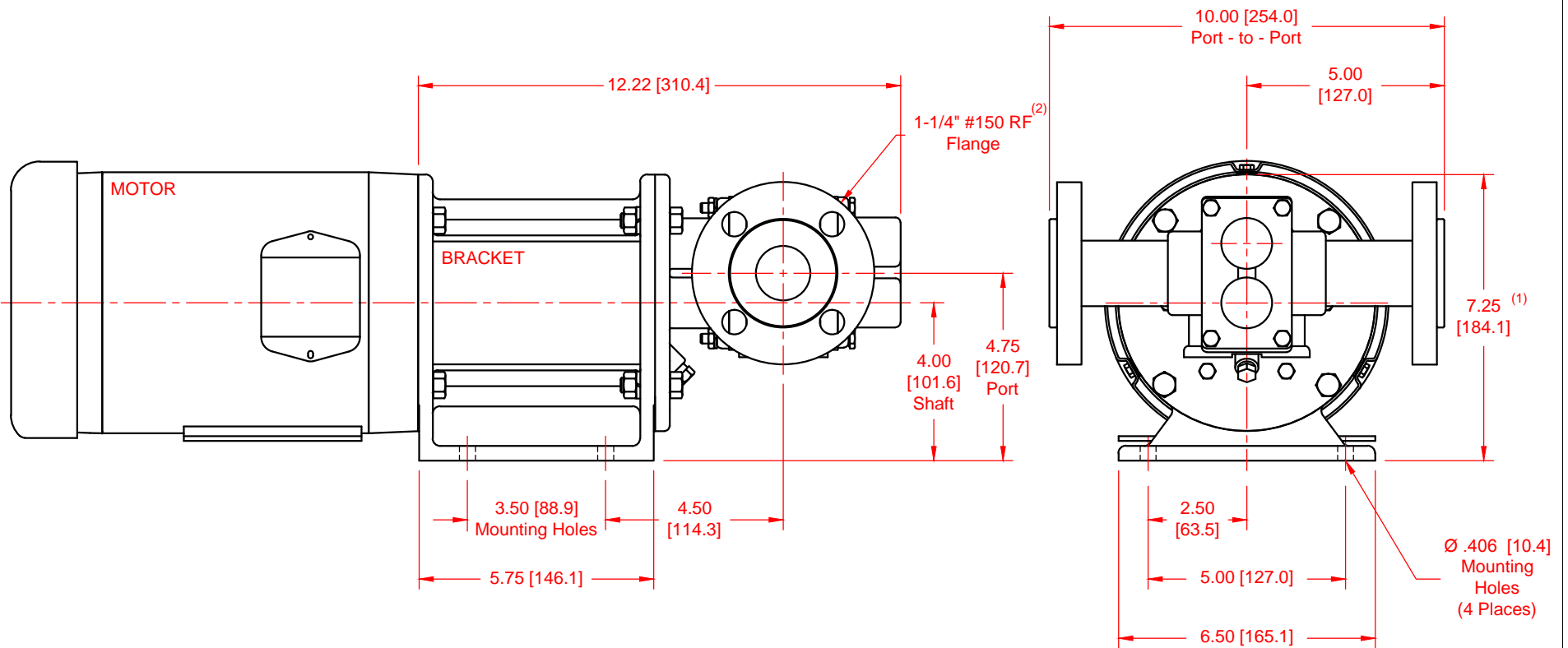


SERIES	MODEL	CONFIGURATION	SEAL TYPE
H-Series 3-Series	H9F 39F	Sealed or Mag-Drive Gear Pump Close-Coupled Version with RF Flanges.	Single Mechanical Seal, Double Mechanical Seal, Packing or Mag-Drive (Sealless)

UNITS: inches [mm]



NOTES:

- 1) Dimension to top of Bracket.
- 2) Also available with ANSI 1-1/4" #300 RF and DN32 PN16 flanges.