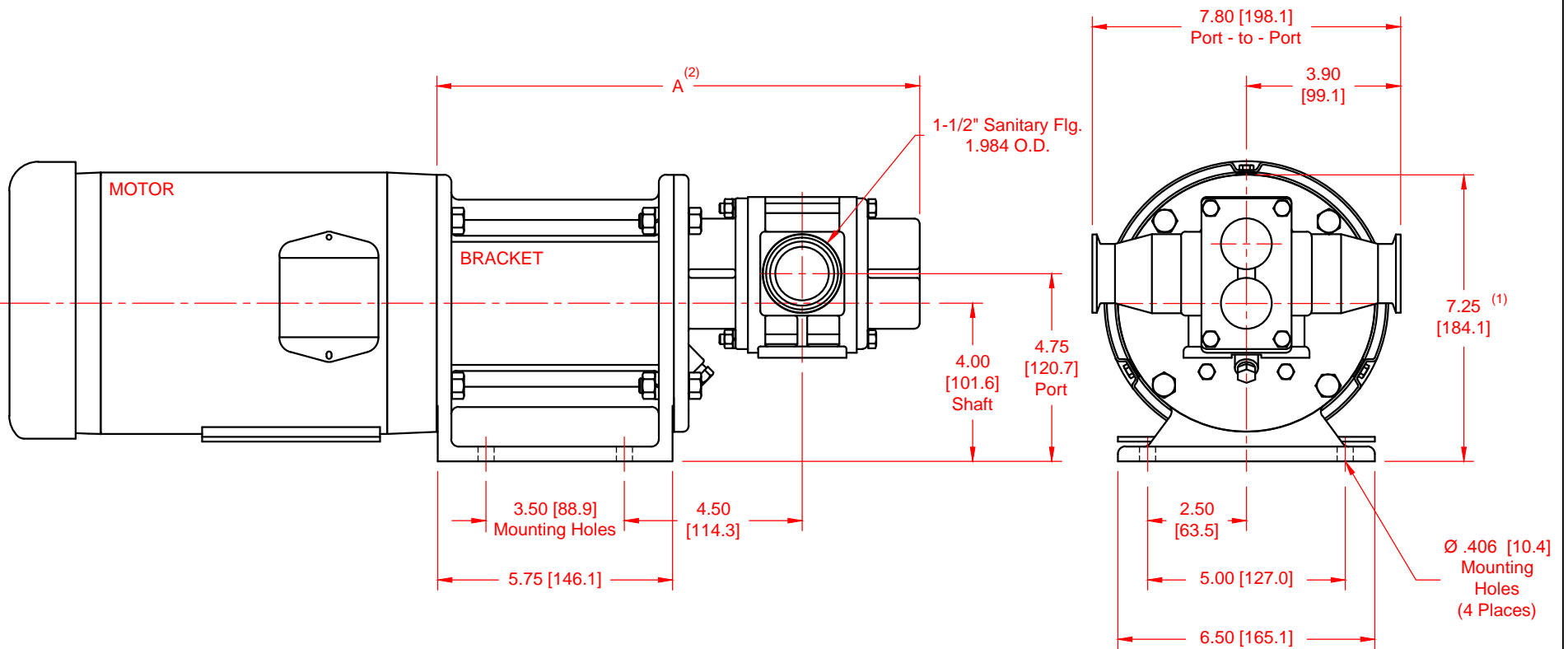


SERIES	MODEL	CONFIGURATION	SEAL TYPE
H-Series 3-Series	H9F 39F	Sealed or Mag-Drive Gear Pump Close-Coupled Version with Sanitary Flanges	Single Mechanical Seal, Double Mechanical Seal, Packing or Mag-Drive (Sealless)

UNITS: inches [mm]

CONFIGURATION	"A"
Sealed	12.84 [326.2]
Mag-Drive	12.22 [310.5]



NOTES:

- 1) Dimension to top of Bracket.
- 2) Sealed configuration dimension includes adapter plate (not shown).