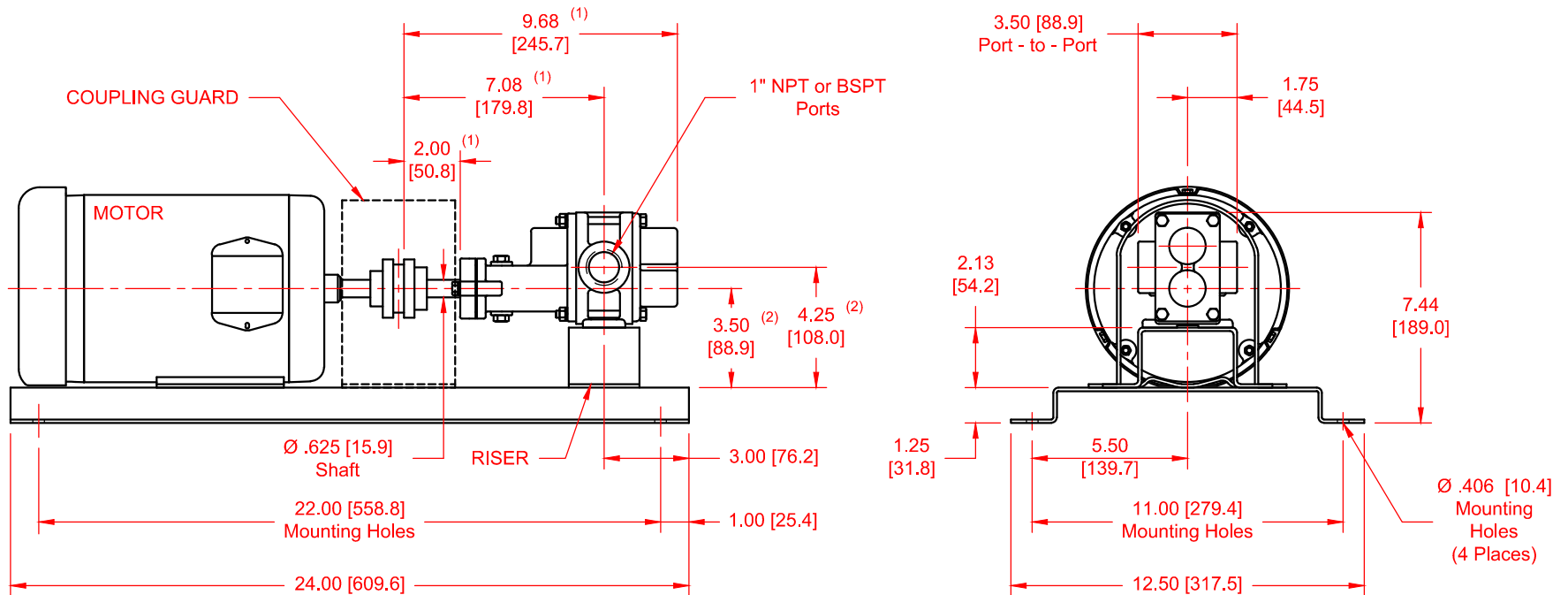


SERIES	MODEL	CONFIGURATION	SEAL TYPE
H-Series 3-Series	H9R 39R	Sealed Gear Pump Long-Coupled Base-Mounted Version with NPT or BSPT Ports	Single Mechanical Seal or Double Mechanical Seal

UNITS: inches [mm]



NOTES:

- 1) Dimension to end of pump shaft.
- 2) Applies for NEMA 56, 143T & 145T Motors.