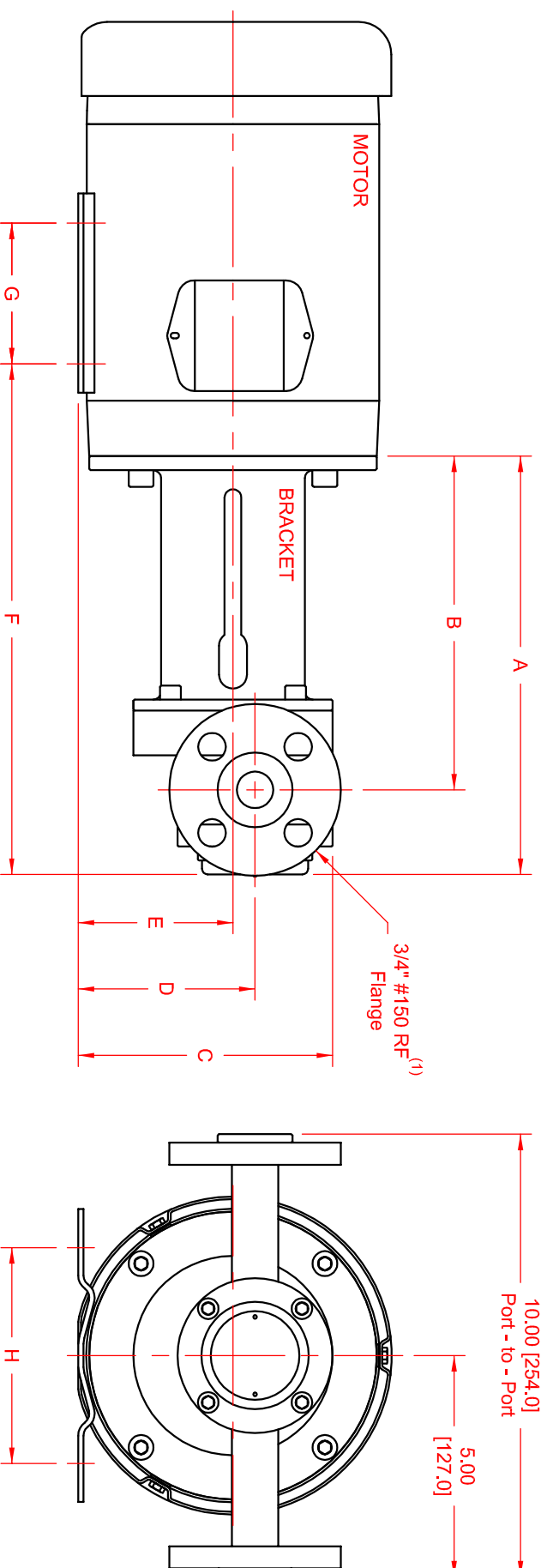


SERIES	MODEL	CONFIGURATION	SEAL TYPE
Max-Series	M4	Sealed Gear Pump Close-Coupled with RF Flanges.	Single Mechanical Seal or Double Mechanical Seal

UNITS: inches [mm]

MOTOR	"A"	"B"	"C"	"D"	"E"	"F"	"G"	"H"
56C	9.45 [240.1]	7.54 [191.5]	5.75 [146.1]	4.00 [101.6]	3.50 [88.9]	10.10 [256.6]	3.00 [76.2]	4.88 [123.8]
143/145TC	9.45 [240.1]	7.54 [191.5]	5.75 [146.1]	4.00 [101.6]	3.50 [88.9]	10.42 [264.6]	4.00 [101.6]	5.50 [139.7]
IEC 71 B5	9.45 [240.1]	7.54 [191.5]	5.05 [128.1]	3.30 [83.7]	2.80 [71.0]	9.31 [236.5]	3.54 [90.0]	4.41 [112.0]
IEC 80 B5	9.45 [240.1]	7.54 [191.5]	5.40 [137.1]	3.65 [92.7]	3.15 [80.0]	9.51 [241.5]	3.94 [100.0]	4.92 [125.0]
IEC 90 B5	9.45 [240.1]	7.54 [191.5]	5.79 [147.1]	4.04 [102.7]	3.54 [90.0]	9.75 [247.5]	3.94 [100.0]	5.51 [140.0]



NOTES:
 1) Also available with ANSI 3/4" #300 RF and DN20 PN16 flanges.